

36R Series

ATTENUATOR

Change of the whirl-stop position

13.5mm or 10mm

Au-plated contacts

Low contact resistance

Multiple contact

23 positions

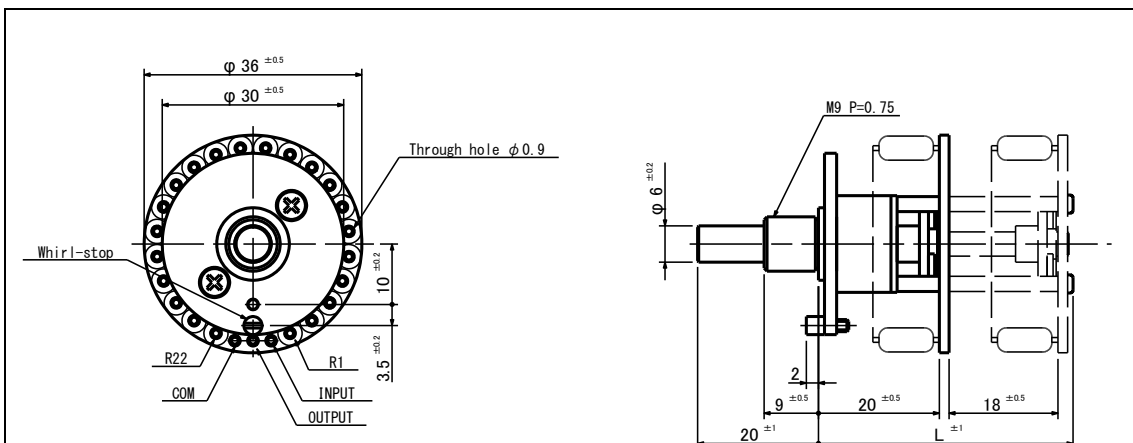


Model number

36R - **1123** - **10K**

Product type Number of circuits Total resistance
1123: Single circuit
2223: 2 circuits

Dimensions



Electrical specifications

36R Series	
Circuit method	Potentiometer (stepped)
Attenuation (Load: High)	0, 2, 4, 6, ... (2dB step) ..., 30, 33, 36, 40, 50, 60, Cut off
Attenuation accuracy	±0.3dB
Max attenuation	60dB ± 0.5dB
Cut off	80dB Min.
Matching accuracy	0.5dB or less (0dB - 60dB)
Number of circuit	Max. 2
Total resistance	10kohm, 100kohm ±3%
Insertion loss	0.3dB or less
Input level	Max. 0.5W
Frequency range	DC ~ 20kHz
Voltage proof	1 Min. at AC250V
Insulation resistance	100Mohm or more at DC500V
Rotational life	30,000 Cycles Min. (18cycles/min, Attenuation accuracy: ±1dB or less)

Mechanical specifications

36R Series	
Operating angle	330degrees ±2degrees
Step angle	15degrees ±1degrees
Strength of nut-attached	50Ncm
Attached parts	Hexagonal nut (M9)
Stopper strength	50Ncm
Push-pull strength	50N

Other specifications

36R Series	
Temp. range	-10 to +70 degrees C (Operating), -15 to +75 degrees C (Storage)
Relative humidity	90%RH (No condensation)

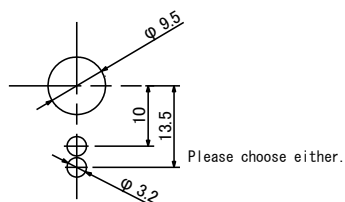
Note

- * Solder heat resistance: 390degrees C max, 3sec max (or 350degrees C, 5sec max), 2 times. (Manual soldering only)
- * Please take care during soldering that the smoke from the solder does not flow inside a switch.
- * Special order is not acceptable.
- * High impedance: More than 20 times of total resistance.

Terminations



Panel cut out dimensions



段数	L
1	22.5
2	42.1