

# TLA1573-3-53C

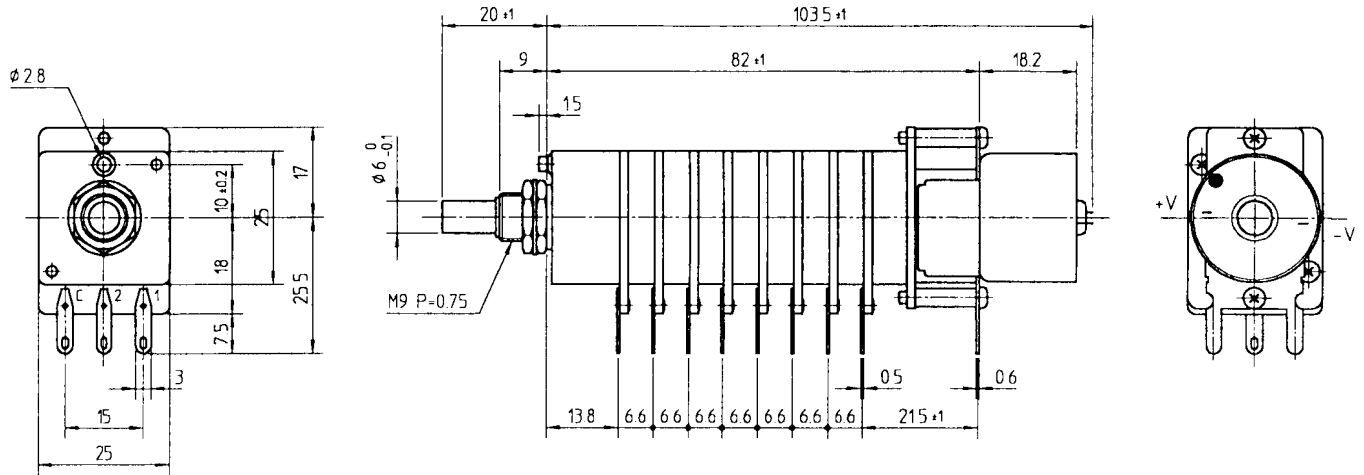
## Specifications

Model	8CP-2500MC
number of channels (unbalanced)	8
resistance taper	audio taper
total resistance (standard)	10, 20, 50, 100K $\Omega$
total resistance tolerance	$\pm 20\%$
attenuation accuracy (audio)	0-10dB $\pm 1.0$ dB 30dB $\pm 2.0$ dB 42dB $\pm 3.0$ dB
insertion loss maximum	0.2dB
cut off at 15kHz minimum	90dB
ratings power	linear taper 0.05W other than linear taper 0.02W
residual resistance	40 $\Omega$ max
insulation resistance	100M $\Omega$ min at DC 500V
total rotation angle	300 $^{\circ}$ $\pm 3^{\circ}$ (no detent)

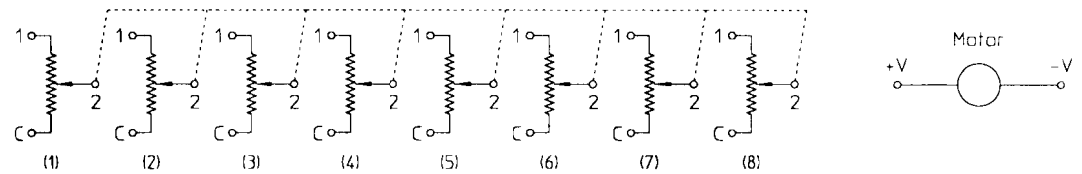
## Motor

rotational torque	1 - 4.5 N·cm
motor voltage	4-6VDC (4.5VDC standard)
rotational speed	12 $\pm 3$ sec/300 $^{\circ}$ (at 4.5VDC)
max operating current	100mA max (at rotation) 150mA max (at end slip)
insulation resistance	1M $\Omega$ min (at 100VDC)

※ soldering of terminals to be made less than at 350  $^{\circ}$ C within five second Max



## Circuit diagram/terminations



## Audio law

angle for given output

angle	0 $^{\circ}$	15 $^{\circ}$	30 $^{\circ}$	45 $^{\circ}$	60 $^{\circ}$	75 $^{\circ}$	90 $^{\circ}$	105 $^{\circ}$	120 $^{\circ}$	135 $^{\circ}$	150 $^{\circ}$	165 $^{\circ}$	180 $^{\circ}$	195 $^{\circ}$	210 $^{\circ}$	225 $^{\circ}$	240 $^{\circ}$	255 $^{\circ}$	270 $^{\circ}$	285 $^{\circ}$	300 $^{\circ}$
dB	0	2	4	6	8	10	12	14	16	18	20	22	24	27	30	33	37	42	48	58	$\infty$

訂正欄

材料		処理		仕上		関係図面	
三角法	承認	検図	設計	製図	写図	TITLE	
尺度	SCALE	APPROVED	CHECKED	DESIGNED	DRAWN	8CP-2500MC A□□K $\Omega$	
単位	mm			6-4-'04		NO	
						TLA1573-3-53C	
						東京光音電波株式会社	