



10mm Rotary Type Encoder Series



Part Number

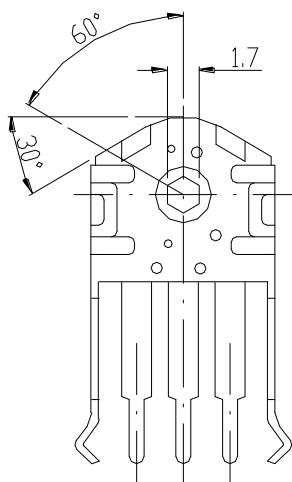
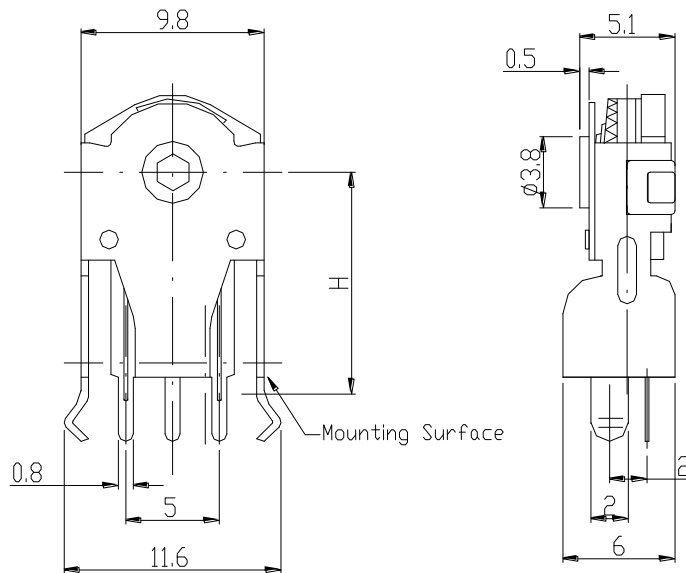
ED1011 – 12P – 24C / H=9

Pulses

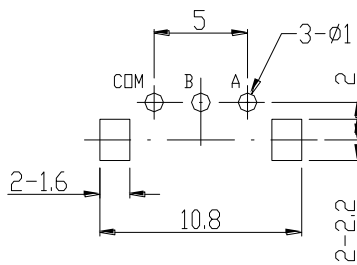
Clicks

Hight

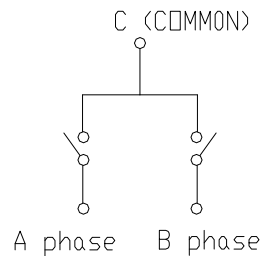
Dimensions



P.C.B Mounting Hole Detail



Encoder Scheahc



H	7	9	11	13
---	---	---	----	----





10mm Rotary Type Encoder Series

General

Operating temperature	-5 °C ~ +45 °C
Manual soldering	300 °C Max 3sec

Electrical Characteristics

Sliding noise	$T_2 \leq 5\text{mS}$ (Test conditions : 360°/S)
Insulation Resistance	More than 50 MΩ at DC 50V 1 Minute
Rated power(W)	DC 5V 1mA
Withstand voltage	1 Minute at AC 50 V
Resolution	12 Pulses/360° for each phase
Output signal and rotational Direction	<p style="text-align: center;">C.W direction</p> <p>A Signal OFF  ON</p> <p>B Signal OFF  ON</p>

Mechanical Characteristics

Total Rotational Angle	360 °
Rotational Torque	10~60 gf.cm
Shaft Push-Pull Strength	510 gf.cm Max.
Number and Position Detent	<input type="checkbox"/> 12 detents (Step angle: $30^\circ \pm 3^\circ$); <input type="checkbox"/> 24 detents (Step angle: $15^\circ \pm 3^\circ$)
Rotational Life	10,000 Cycles.