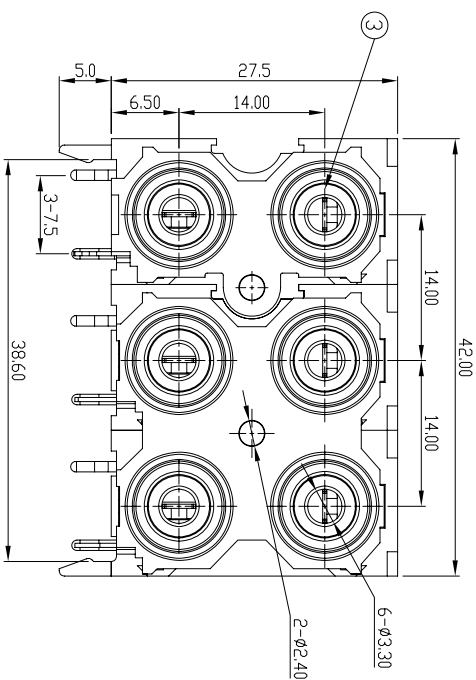
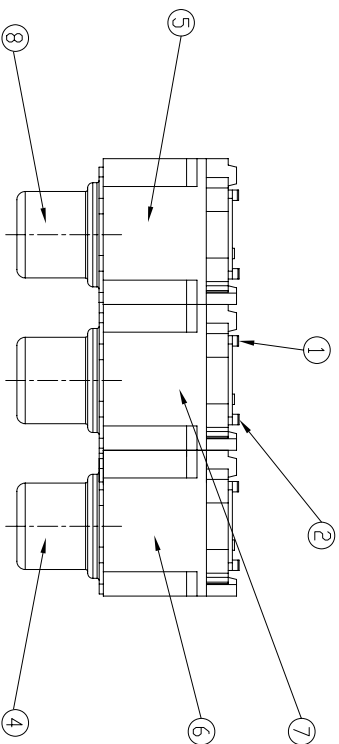
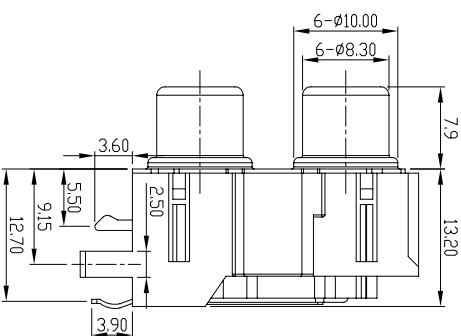
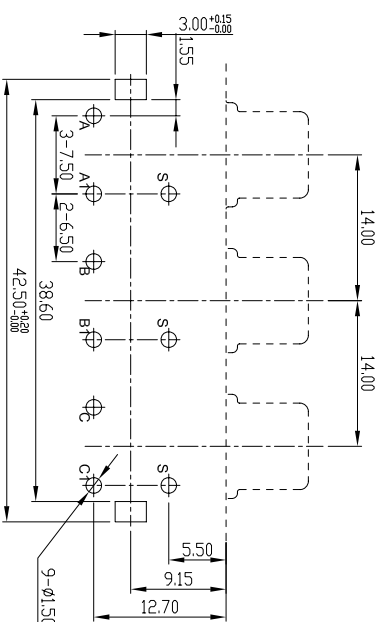


HISTORY X COUNT	DATE	ECON NO.	REV.	REVISION	SIGN.
△ x1	12SEP98	B		核定 PCB 板尺寸	Ken
△ v1	20OCT08	C		增加 PCB 板零件編號	Chris
△ x1	10DEC08	D		圖面修繕	Chris



P.C.B LAYOUT TOL=0.1mm  
(BOTTOM VIEW)



8	SHIELD	1	BRASS	NICKEL	
7	BODY(3)	1	P.B.T	BLACK	
6	BODY(2)	1	P.B.T	BLACK	
5	BODY(1)	1	P.B.T	BLACK	
4	SHIELD	1	BRASS	NICKEL	
3	WASHER	6	P.B.T		
2	TERMINAL(L)	3	BRASS	Sn/Cu	
1	TERMINAL	3	BRASS	Sn/Cu	
	PART NAME	Q'TY	MATERIAL	PLATED	REMARK

**LH SHENG PRECISION INDUSTRIAL CO., LTD.**

TOLERANCE	Material	PART NAME	RCA PIN JACK
X.X ±0.5	Thickness	PART NO.	LC-0903-32-
X.XX ±0.3	Disposal	DATE	2005.11.28
	UNIT	DRAW	CHECK
	SCALE	1.5 : 1	Ken
	UNIT	mm	Ken

LC-0903             (1) (2) (3) (4) (5)

(1): Series No.

(2): Optional Plastic Material Code

(3): Terminal Plating

3	Sn/Cu	5	Gold 2u"
---	-------	---	----------

(4): Bushing Plating

2	NICKEL	5	Gold 2u"
---	--------	---	----------

(5): Insulator Color Code: (A→ B→ C→ A1→ B1→ C1)

1	Black	2	Red	3	White	4	Yellow	5	Blue
6	Gray	7	Green	8	Orange	9	Brown		

WASHER COLOR			CIRCUIT		
A1	B1	C1	A1	B1	C1
A	B	C	A	B	C