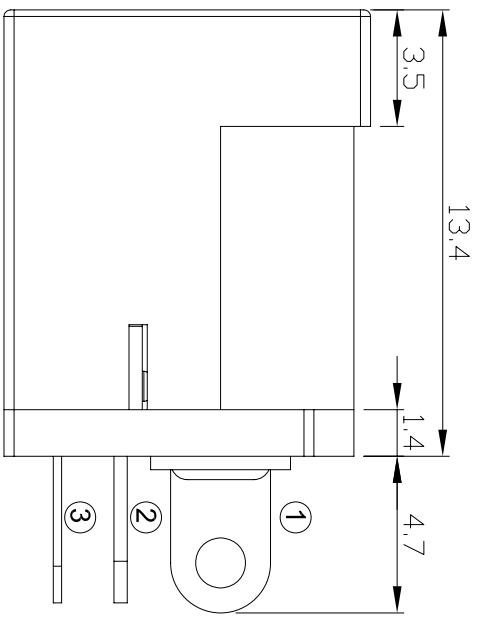
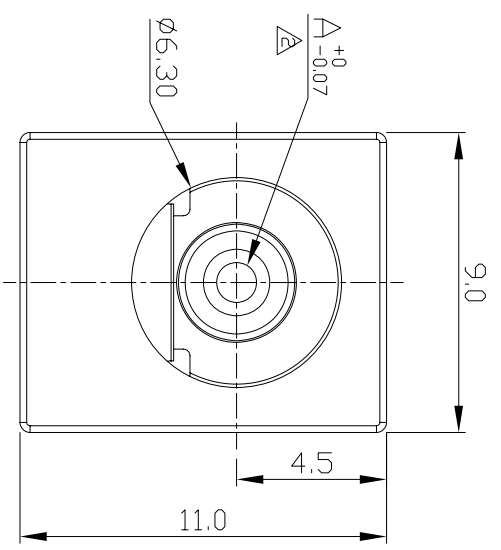
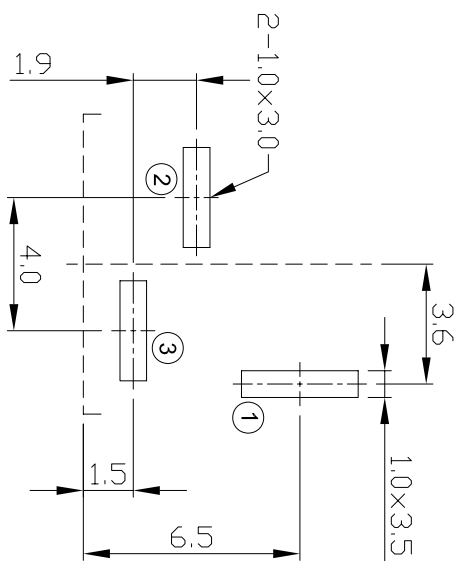
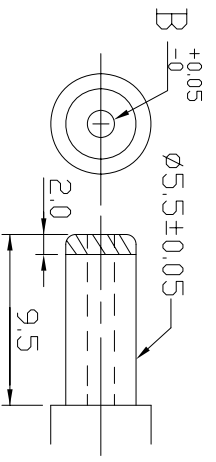


HISTORY X/COUNT	DATE	ECON NO.	REV.	REVISION	SIGN.
△ x 3	07/19/05		B	電鍍由 TIN 改為 SILVER	CHRIS
△ x 1	06/AUG/07		C	修改公差 +0.07 改為 +0	CHRIS
△ x 1	06/SEP/09		D	修改 LAYOUT 尺寸	CHRIS



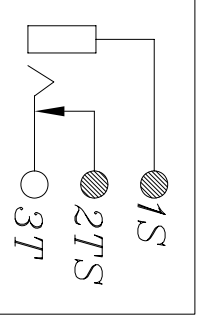
PLUG




P.C.B LAYOUT(±0.1) △
(BOTTOM VIEW)

P/N	Dimension	
	A	B
LD-0202C-2.0	∅2.0	∅2.05
LD-0202C-2.5	∅2.5	∅2.55

NO	PART NAME	Q'TY	MATERIAL	PLATED	REMARK
6	COVER	1	PBT		BLACK
5	HOUSING	1	PBT		BLACK
4	PIN	1	BRASS		
3	TIP	1	P.B.S		
2	TIP SHUNT	1	BRASS		
1	TERMINAL	1	BRASS	SILVER	





LIH SHENG PRECISION INDUSTRIAL CO., LTD.

TOLERANCE	Material	PART NAME	DC POWER JACK
X ±0.5	Thickness	PART NO.	LD-0202C-
X.X ±0.3	Disposal	DATE	07/19/05
X.XX ±0.15	UNIT	DRAW	CHECK
	mm	SCALE	4:1
		XIANG JI QIAN	Chris
			Ken