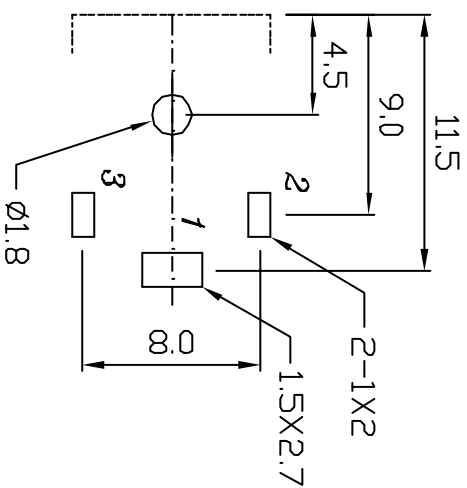
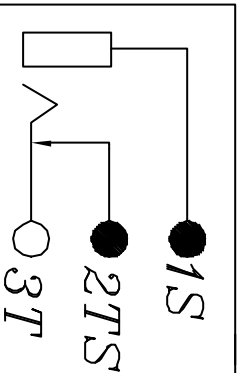
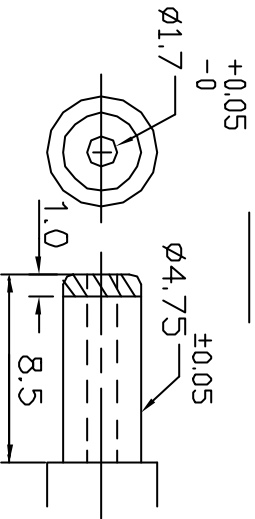


# PLUG




P.C.B. LAYOUT(±0.1)  
(BOTTOM VIEW)

5					
4	HOUSING	1	PBT-94V0 G15		
3	TIP	1	P.B.S	TIN	
2	TIP SHUNT	1	BRASS	TIN	
1	TERMINAL	1	BRASS	TIN	
NO	PART NAME	Q'TY	MATERIAL	PLATED	COLOR

REVISION  
3(04/01/02)

BLACK

		<b>LIH SHENG PRECISION INDUSTRIAL CO., LTD.</b>	
<b>PART NAME</b> DC JACK		<b>TOLERANCE</b> X. ±0.5 X.X ±0.3 X.XX ±0.15	
<b>PART NO.</b> LD-0214-1.6		<b>SCALE:</b> 4/1	
<b>UNIT</b> M/M	<b>DATE</b> 10/30/98	<b>DRAW</b>	<b>CHECK</b>
<b>VEN-CHENG</b>	<b>APP</b>	<b>VEN-CHENG</b>	<b>APP</b>