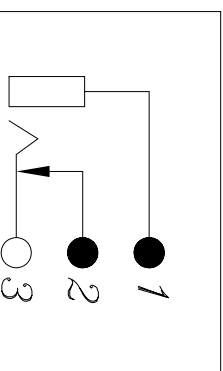
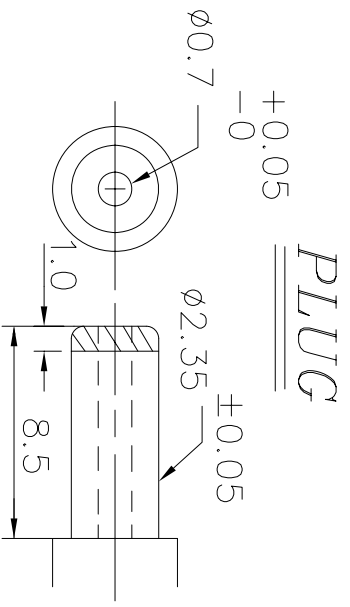



PCB LAYOUT±0.1
(BOTTOM VIEW)



6									
5	HOUSING	1	PAGE						
4	SHIELD	1	COLD ROLLED STEEL	NICKEL	BLACK	REVISION	2(10/17/05)		
3	TERMINAL 3	1	COPPER ALLOY	SILVER					
2	TERMINAL 2	1	BRASS	SILVER					
1	TERMINAL 1	1	BRASS	SILVER					
	PART NAME	QTY	MATERIAL	PLATED	COLOR				



LIH SHENG PRECISION
INDUSTRIAL CO., LTD.

TOLERANCE		PART NAME	
X	±0.5	DC JACK	
X.X	±0.3	PART NO.	
X.XX	±0.15	LD-0218M-0.6	
SCALE: 6/1	UNIT	DATE	DRAW
	M/M	07/20/00	LEE WEN-CHENG
			CHECK
			APPROVE