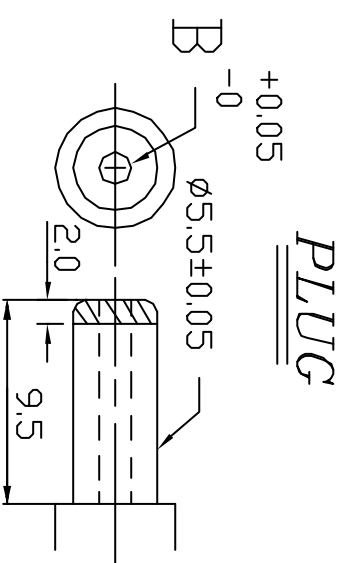
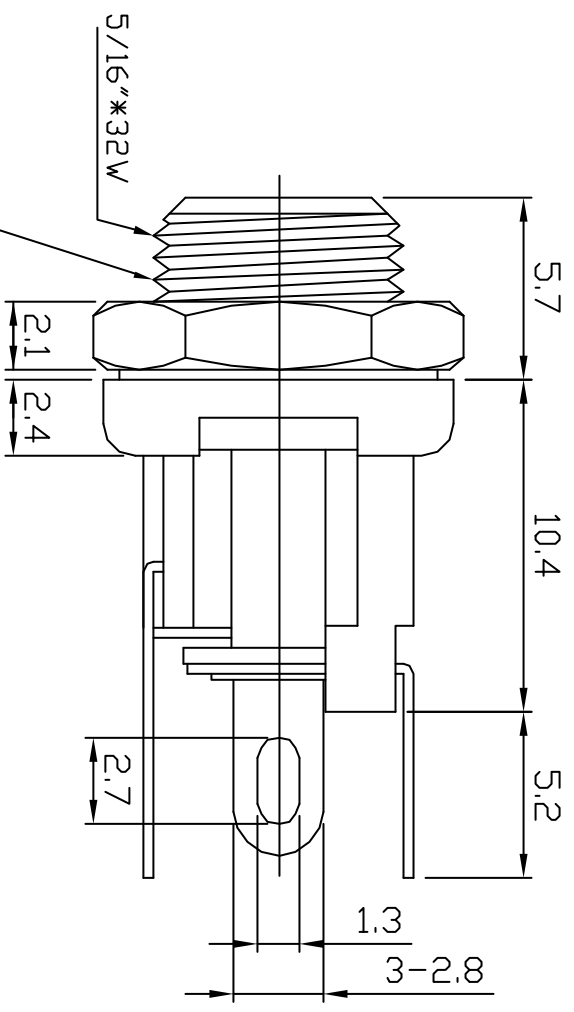


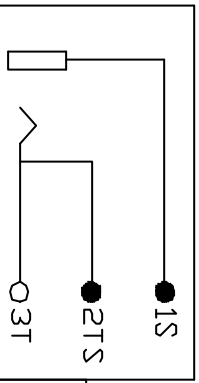
WITH OR WITHOUT THREAD




PLUG

P/N	Dimension	
	A	B
LD-0219-2.0	$\phi 2.0$	$\phi 2.05$
LD-0219-2.5	$\phi 2.5$	$\phi 2.55$

NO	CODER	Q'TY	MATERIAL	PLATED	COLOR
6	COVER	1	BRASS	NICKEL	
5	BODY	1	PBT HB		BLACK
4	PIV	1	BRASS	NICKEL	
3	TIP	1	BRASS	TIN	
2	TIP SHUNT	1	BRASS	TIN	
1	TERMINAL	1	P.B.S	TIN	



REVISION
3(04/01/02)



LIH SHENG PRECISION INDUSTRIAL CO., LTD.

TOLERANCE
X. ± 0.6
X.X ± 0.3
X.XX ± 0.15

SCALE: 4/1

PART NAME DC POWER JACK	UNIT M/M
PART NO. LD-0219-	DATE 11/12/99'
DRAW	CHECK
APPROVE	VEN-CHENG