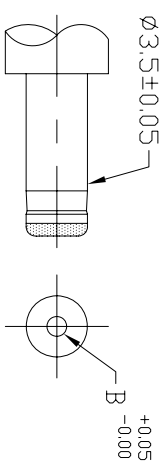
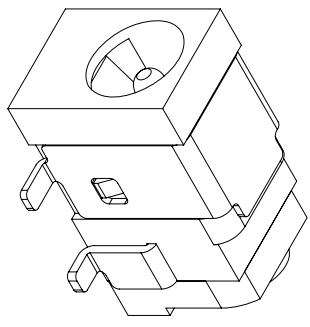
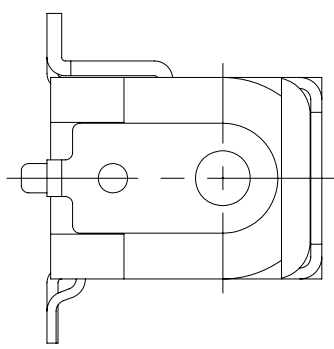
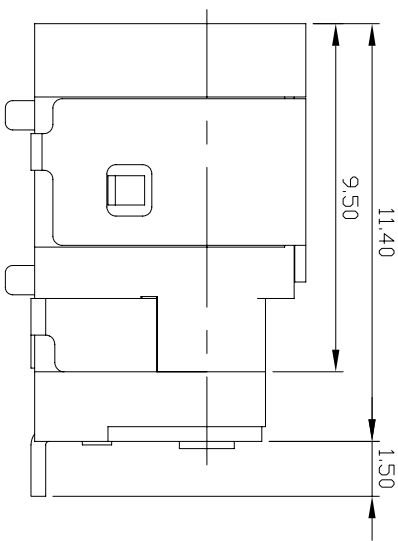
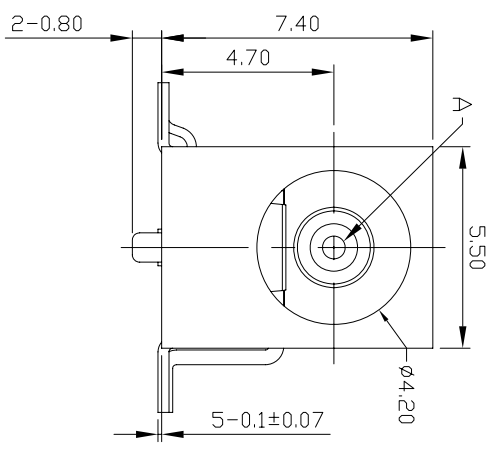
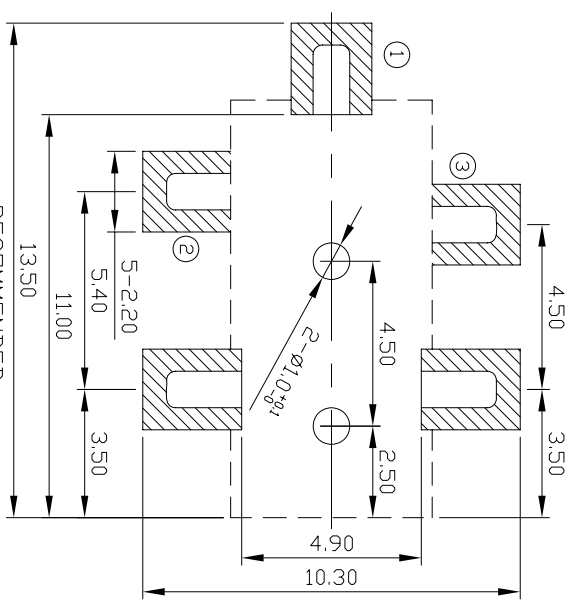
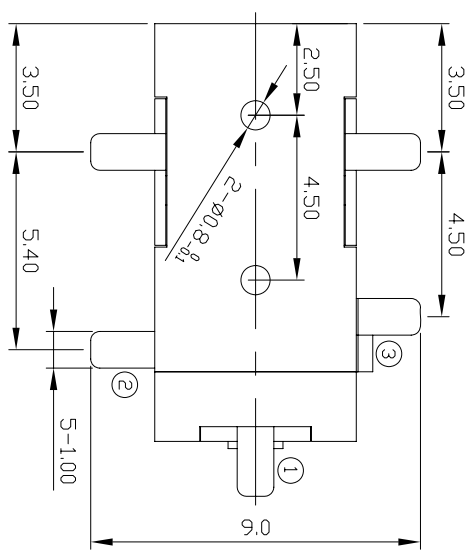


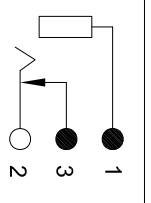
HISTORY X-COUNT	DATE	ECN NO.	REV.	REVISION	SIGN.
△ x1	18/AMV/07		B	增加線路圖	Chrs
△ x1	07/APR/10	N201004001	C	變更SHIELD電鍍。	Chrs




DC MATE PLUG



P/N	Dimension		Material
	A	B	
LD-0231M-1.0	Ø1.0	Ø1.05	
LD-0231M-1.3	Ø1.3	Ø1.35	



NO	PART NAME	QTY	MATERIAL	PLATED	REMARK
7	COVER	1	PAGT		BLACK
6	HDUSING	1	PAGT		BLACK
5	SHIELD	1	COLD ROLLED STEEL	△	
4	TERMINAL 3	1	BRASS		SILVER
3	TERMINAL 2	1	P.B.S		SILVER
2	TERMINAL 1	1	BRASS		SILVER
1	CENTER PIN	1	CDPPER		NICKEL



**LH SHENG PRECISION INDUSTRIAL CO., LTD.**

TOLERANCE	Material	PART NAME	DC JACK
X: ±0.5		PART NO.	LD-0231M-
X.X: ±0.3	Thickness	DATE	2007.03.09
X.XX: ±0.15	Disposal	DRAW	CHECK
	UNIT	SCALE	5:1
	mm	Chris	Ken
		Chris	Ken
		Chris	Ken