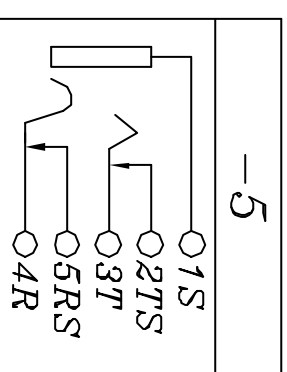
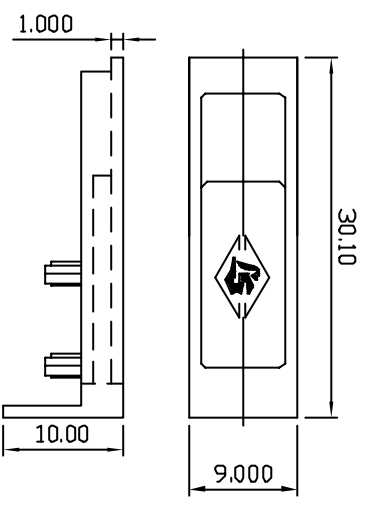
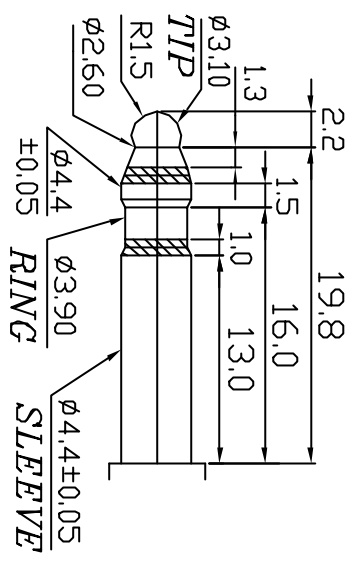


PLUG

*P.C.B LAYOUT(±0.1)
(BOTTOM VIEW)*



7	COVER	1	PBT-94V0 G15		BLACK	REVISION
6	HOUSING	1	PBT-94V0 G15		BLACK	4(12/12/02)
5	RING SHDUNT	1	P.B.S		SILVER	
4	RING	1	P.B.S		SILVER	
3	TIP	1	P.B.S		SILVER	
2	TIP SHUNT	1	P.B.S		SILVER	
1	SLEEVE	1	P.B.S		SILVER	
NO	PART NAME	Q'TY	MATERIAL	PLATED	COLOR	

L5H SHENG PRECISION INDUSTRIAL CO., LTD.

MINI TELEPHONE JACK

PART NAME: LJA0451-5

PART NO. LJA0451-5

SCALE: 2/1 UNIT: M/M DATE: 05/22/87' DRAW: WEN-CHENG CHECK: APPROVE

TOLERANCE:
X ±0.5
X.X ±0.3
X.XX ±0.15