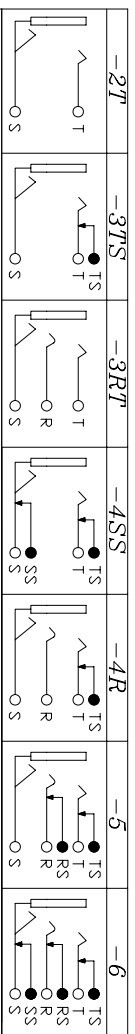


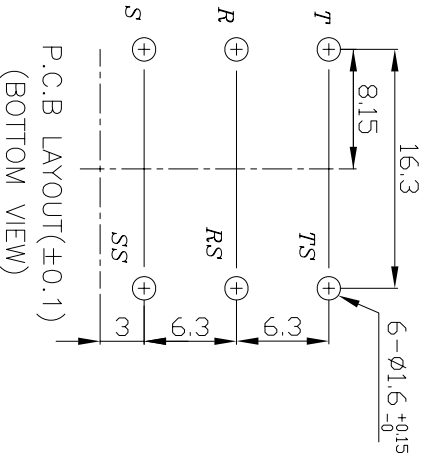
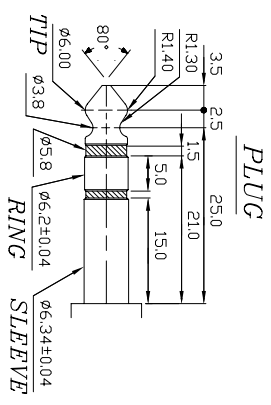
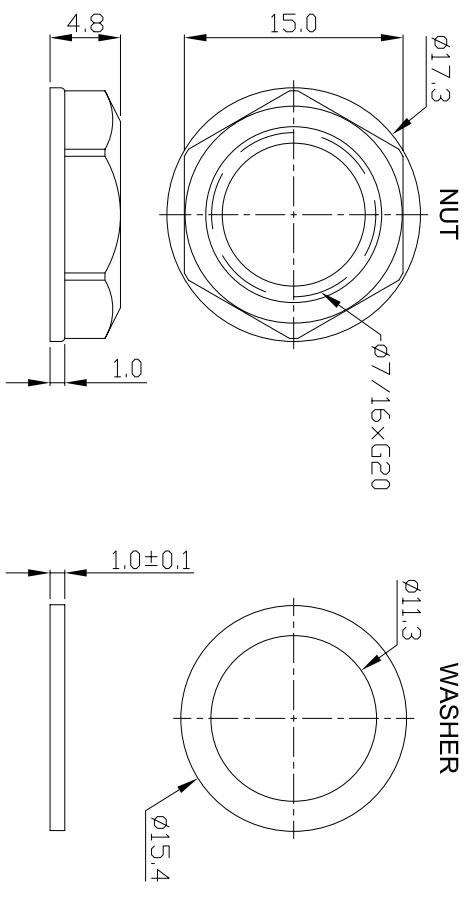
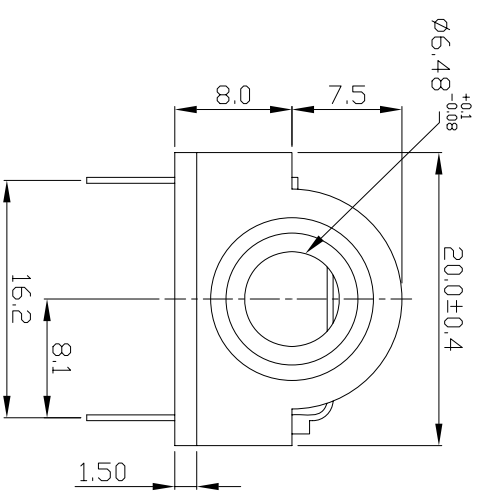
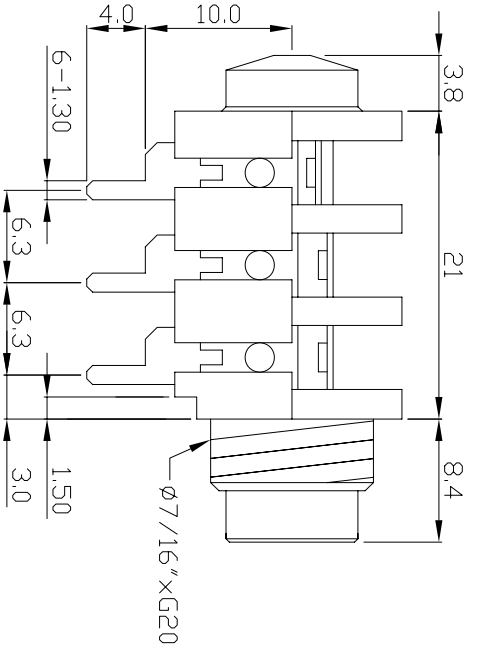
5	WASHER	1	PARER SHEET		RED(Fittings)	
4	NUT	1	PA66		BLACK(Fittings)	
3	HOUSING	1	PA66		BLACK	
2	TIP SPRING	3	P.B.S	(NI/Ag)		
1	SHUNT SPRING	3	BRASS	(NI/Ag)		
NO	PART NAME	Q'TY	MATERIAL	PLATED	REMARK	

TOLERANCE		Material	PART NAME	HEADPHONE JACK
X	±0.5	Thickness	PART NO.	LJB0665-6
X.X	±0.3	Disposal	DATE	05/30/92'
X.XX	±0.15	UNIT	SCALE	2:1
			DRAW	Chris
			Vicky	Chris
			CHECK	Chris
			APPROVED	Ken

LIH SHENG PRECISION INDUSTRIAL CO., LTD.



HISTORY	DATE	ECON NO.	REV.	REVISION	SIGN.
X/COUNT	16/FEB/09'		A	圖面重繪	Chris



5	WASHER	1	PARER SHEET		RED(Fittings)	
4	NUT	1	PA66		BLACK(Fittings)	
3	HOUSING	1	PA66		BLACK	
2	TIP SPRING	3	P.B.S	(N/A)		
1	SHUNT SPRING	3	BRASS	(N/A)		
NO	PART NAME	Q'TY	MATERIAL	PLATED	REMARK	

LIH SHENG PRECISION INDUSTRIAL CO., LTD.		HEADPHONE JACK	
TOLERANCE X ±0.5 X.X ±0.3 X.XX ±0.15	Material Thickness Disposal	PART NAME PART NO. DATE DRAW	LJB0665H-6 11/10/88 Chris
UNIT SCALE 2:1	mm	Vicky	REV.A APPROVED Ken