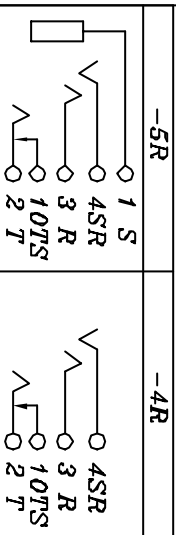
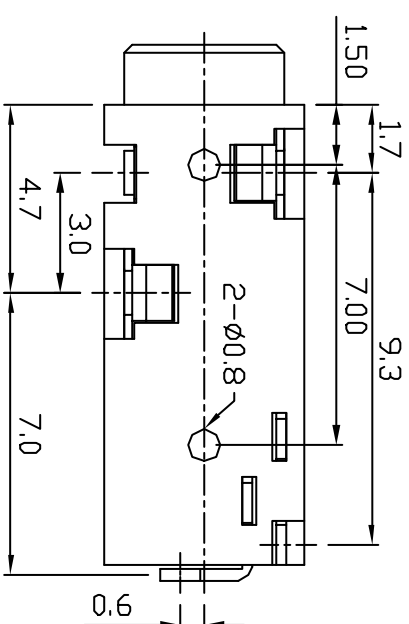
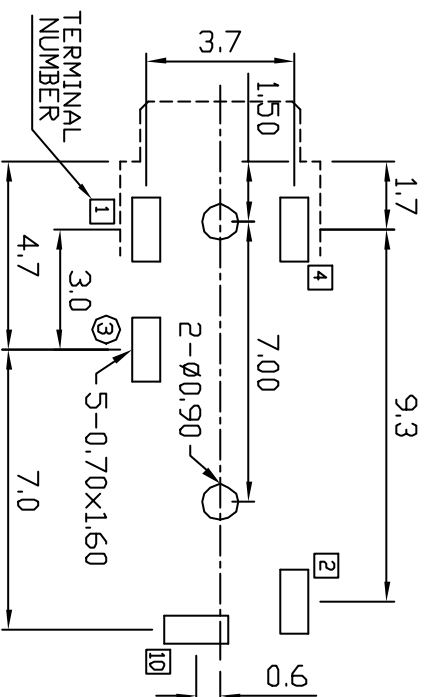
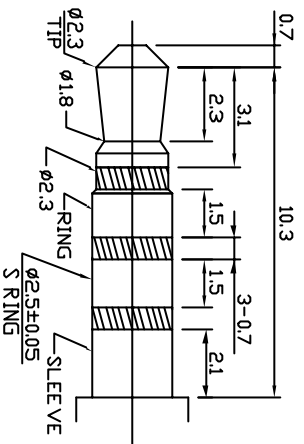


4P PLUG



10	TIP SHUNT	1	BRASS	TIN	REVISION
5	HOUSING	1	PAG6		BLACK
4	SLEEVE TERMINAL	1	P.B.S		1(K00/00/00')>
3	RING	1	P.B.S		
2	TIP	1	P.B.S		
1	SLEEVE	1	P.B.S		
NO	PART NAME	Q'TY	MATERIAL	PLATED	COLOR

PCB LAYOUT  
(BOTTOM VIEW)



**LIH SHENG PRECISION INDUSTRIAL CO., LTD.**

PART NAME **EARRPHONE JACK**

PART NO. **LJE0266A-5R**

TOLERANCE	X ±0.5	X.X ±0.3	X.XX ±0.15
SCALE: 5/1	UNIT	DATE	DRAW
	M/M	01/03/03'	LEF MEN-CHENG
			CHECK
			APPROVE