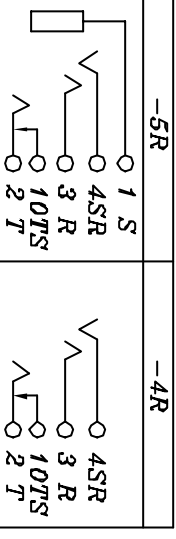
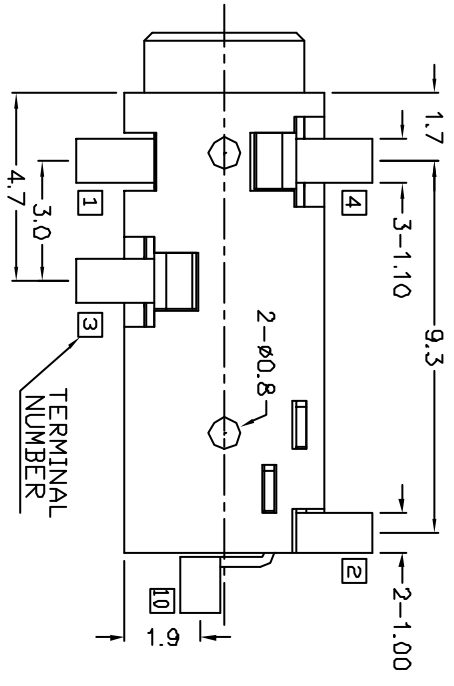
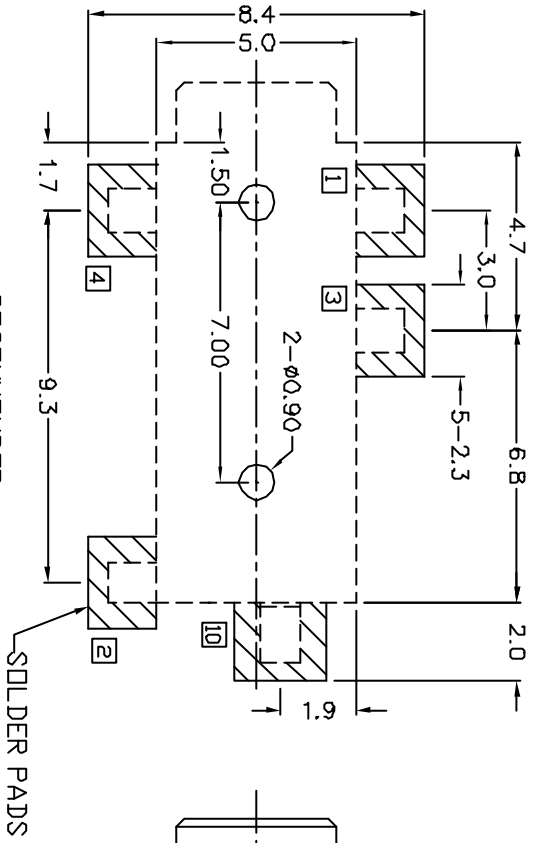
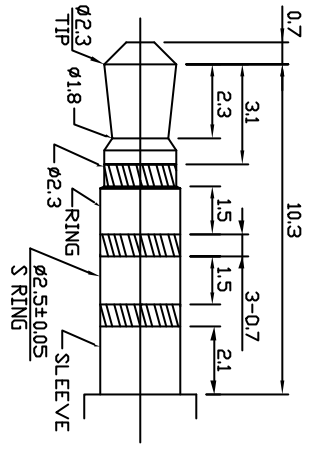


4P PLUG



10	TIP SHUNT	1	BRASS	SILVER	REVISION
5	HOUSING	1	PA6T	BLACK	100/00/00>
4	SLEEVE TERMINAL	1	P.B.S	SILVER	
3	RING	1	P.B.S	SILVER	
2	TIP	1	P.B.S	SILVER	
1	SLEEVE	1	P.B.S	SILVER	
NO	PART NAME	Q'TY	MATERIAL	PLATED	COLOR



LH SHENG PRECISION INDUSTRIAL CO., LTD.

PART NAME EARPHONE JACK

PART NO. LJE0266-5R

TOLERANCE	X ±0.5	X.X ±0.3	X.XX ±0.15
SCALE: 5/1	UNIT	DATE	DRAW
M/M	01/03/03'	VEN-CHENG	CHECK
			APPROVE

<SMT>