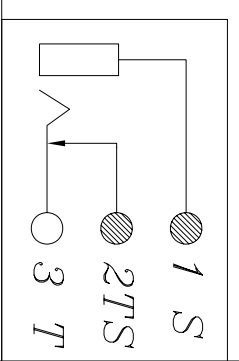
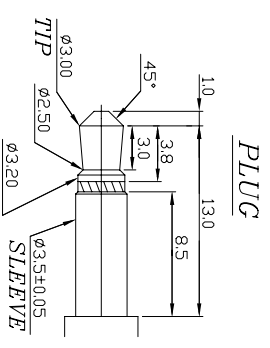
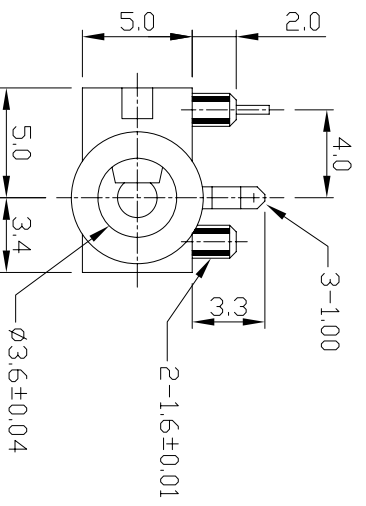
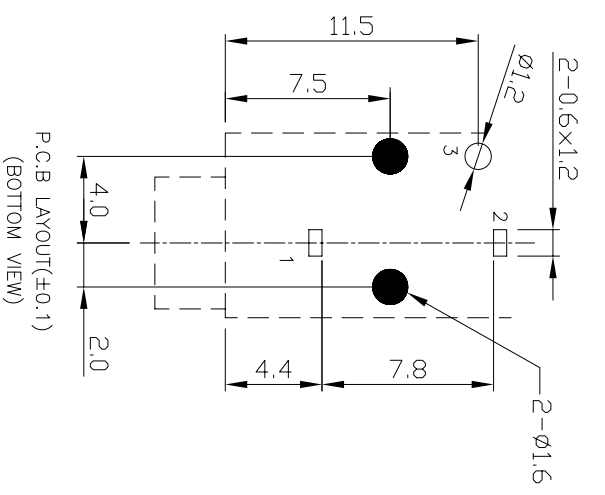
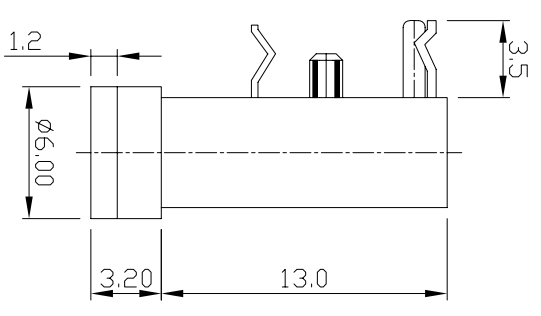
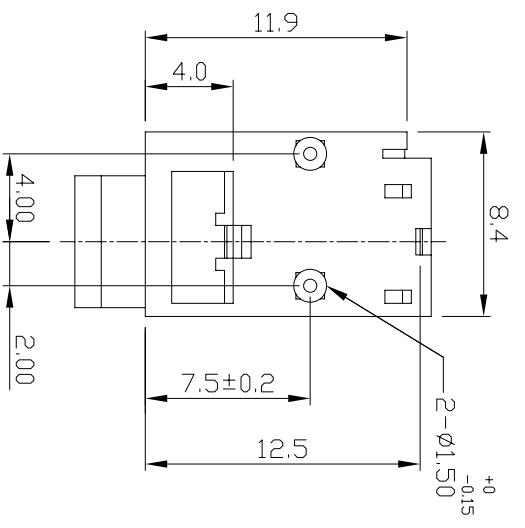


5	HOUSING	1	POM		BLACK
4	BUSHING	1	BRASS	NICKEL	
3	TIP	1	P.B.S	SILVER	
2	RING	1	P.B.S	SILVER	
1	SLEEVE	1	BRASS	SILVER	
NO	PART NAME	Q'ty	MATERIAL	PLATED	REMARK

LH SHENG PRECISION INDUSTRIAL CO., LTD.

TOLERANCE		MATERIAL	PART NAME	EARPHONE JACK
X	±0.5			
X.X	±0.3	Thickness	PART NO.	LJE0357-3RT
X.XX	±0.15	Disposal	DATE	10/01/87'
		UNIT	DRAW	CHECK
		mm	Chris	Ken
			SCALE	3:1
			REV. B	APPROVED
			Cooper	

HISTORY X-COUNT	DATE	ECN NO.	REV.	REVISION	SIGN.
1	NOV/19/07		B	圖面重繪。	Chris



5	HOUSING	1	POM		BLACK
4	BUSHING	1	BRASS	NICKEL	
3	TIP	1	P.B.S	SILVER	
2	TIP SHUNT	1	BRASS	SILVER	
1	SLEEVE	1	BRASS	SILVER	
NO	PART NAME	Q'TY	MATERIAL	PLATED	REMARK

		LH SHENG PRECISION INDUSTRIAL CO., LTD.	
TOLERANCE	Material	PART NAME	EARRPHONE JACK
X ±0.5	X ±0.5	PART NO.	LJE0357-B
X.X ±0.3	X.X ±0.3	DATE	07/08/87
X.XX ±0.15	X.XX ±0.15	DRAW	CHECK
		UNIT	mm
		SCALE	3:1
		Chris	Ken
		APPROVED	Cooper

HISTORY	DATE	EON NO.	REV.	REVISION	SIGN.
X COUNT	NOV/16/07		B	圖面重繪	Chris