

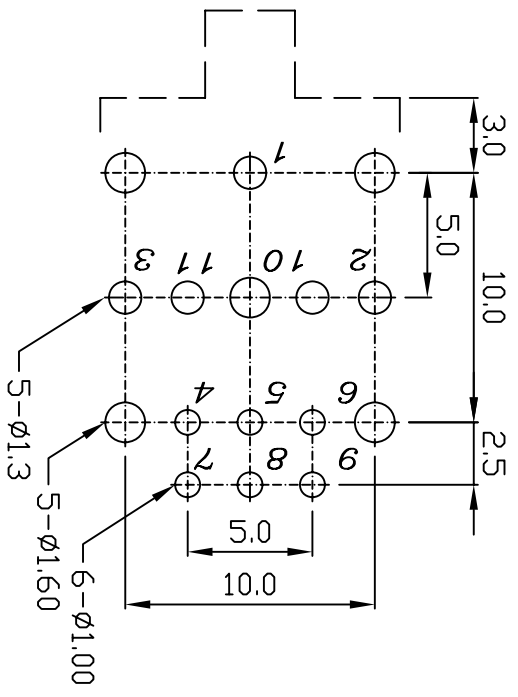
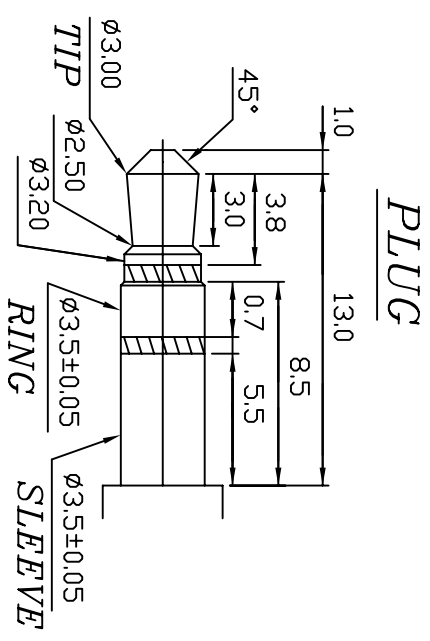
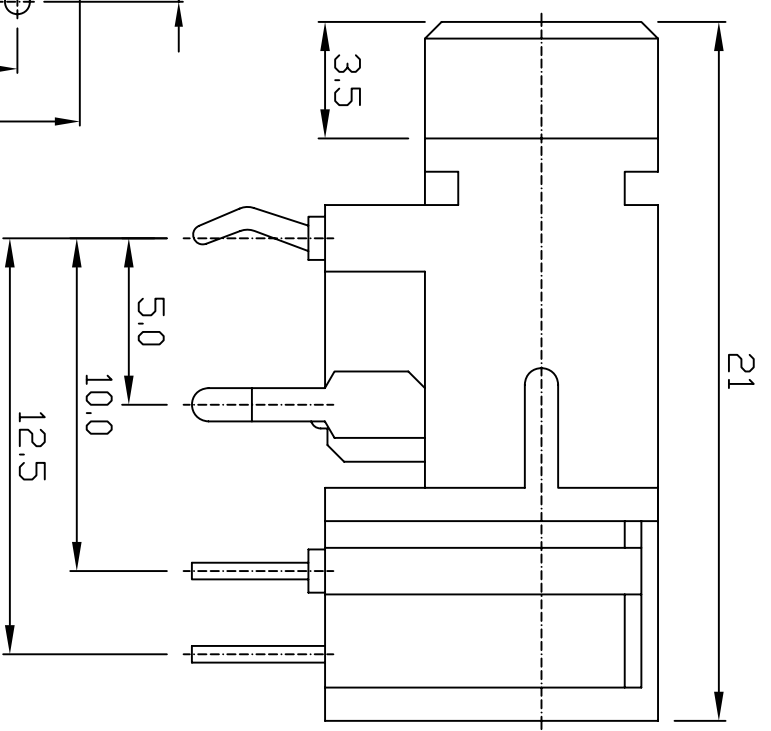
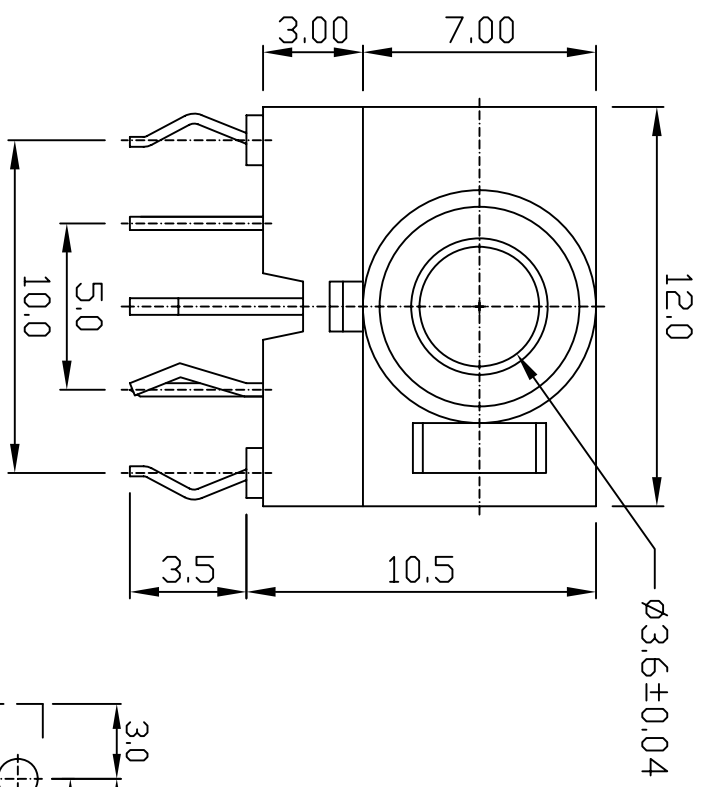
|    |                      |     |                 |        |        |
|----|----------------------|-----|-----------------|--------|--------|
| 10 | CONTACT CLIP         | 1   | C5210R-EH       | SILVER |        |
| 9  | SPRING               | 1   | STAINLESS STEEL | TIN    |        |
| 8  | INSULATOR            | 1   | PA66            |        |        |
| 7  | HOUSING-B            | 1   | PBT             |        |        |
| 6  | HOUSING-A            | 1   | PBT             |        | BLACK  |
| 5  | COVER                | 1   | PBT             |        | BLACK  |
| 4  | TERMINAL 4,5,6,7,8,9 | 6   | BRASS           | SILVER |        |
| 3  | RING                 | 1   | P.B.S           | TIN    |        |
| 2  | TIP                  | 1   | P.B.S           | TIN    |        |
| 1  | SLEEVE               | 1   | BRASS           | TIN    |        |
| NO | PART NAME            | QTY | MATERIAL        | PLATED | REMARK |



**LH SHENG PRECISION INDUSTRIAL CO., LTD.**

|           |       |                |  |
|-----------|-------|----------------|--|
| TOLERANCE |       | PART NAME      |  |
| X         | ±0.5  | EARRPHONE JACK |  |
| X.X       | ±0.3  | PART NO.       |  |
| X.XX      | ±0.15 | LJE0361-9-03A  |  |
| Material  |       | DATE           |  |
| Thickness |       | 01/AUG/11      |  |
| Disposal  |       | DRAW           |  |
| UNIT      |       | Leo            |  |
| SCALE     |       | CHECK          |  |
| 2.5:1     |       | Chris          |  |
| REV. A    |       | APPROVED       |  |
| Chris     |       | Chris          |  |

| HISTORY | DATE | ECONO. | REV. | REVISION | SIGN. |
|---------|------|--------|------|----------|-------|
| A       |      |        |      |          |       |



P.C.B LAYOUT( $\pm 0.1$ )  
(BOTTOM VIEW)

| 11 | RING SHUNT | 1    | BRASS        | TIN    |       |  |                         |
|----|------------|------|--------------|--------|-------|--|-------------------------|
| 10 | TIP SHUNT  | 1    | BRASS        | TIN    |       |  | REVISION<br>6(06/23/05) |
| 6  | TERMINAL   | 6    | BRASS        | SILVER |       |  |                         |
| 5  | HOUSING    | 1    | PBT          |        |       |  |                         |
| 4  | COVER      | 1    | PBT          |        |       |  |                         |
| 3  | RING       | 1    | COPPER ALLOY | TIN    |       |  |                         |
| 2  | TIP        | 1    | COPPER ALLOY | TIN    |       |  |                         |
| 1  | SLEEVE     | 1    | BRASS        | TIN    |       |  |                         |
| NO | PART NAME  | Q'TY | MATERIAL     | PLATED | COLOR |  |                         |

**LH SHENG PRECISION**  
**INDUSTRIAL CO., LTD.**

---

**TOLERANCE**  
X  $\pm 0.5$   
X X  $\pm 0.3$   
X XX  $\pm 0.15$

SCALE: 4/1

**PART NAME** EARPHONE JACK

**PART NO.** LJE0361-11

**UNIT** M/M

**DATE** 08/01/91

**DRAW** LEE VEN-CHENG

---

**PLATED**

**COLOR**

**CHECK**

**APPROVE**

