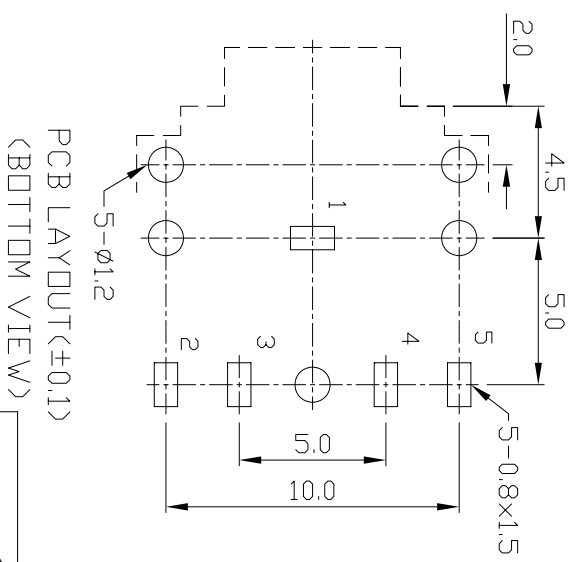
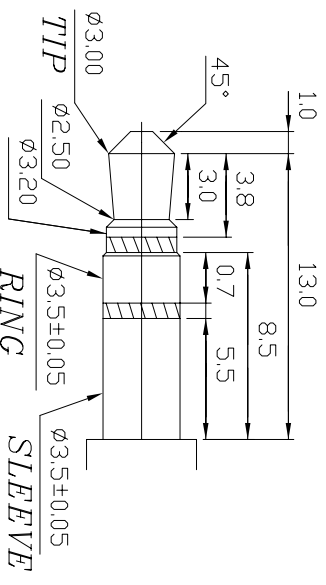
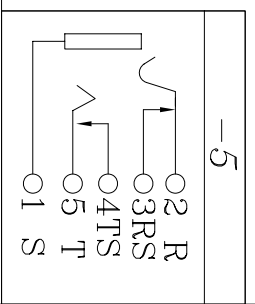


HISTORY X/COUNT	DATE	ECN NO.	REV.	REVISION	SIGNL.
1	31/OCT/06		A	圖面重繪	Vicky
2	14/DEC/06		B	修改材質欄 - 增加公差尺寸 - 所以修改圖面內的電子表格。	Chns

*PLUG*



PCB LAYOUT ( $\pm 0.1$ )  
(BOTTOM VIEW)



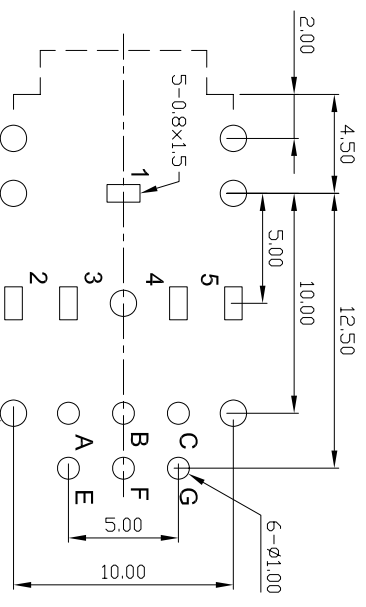
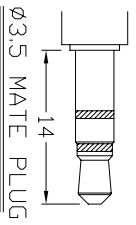
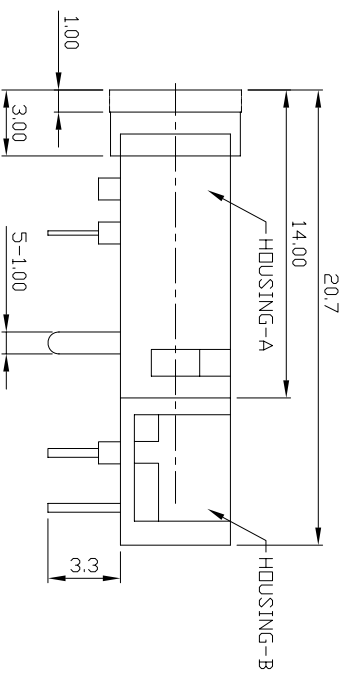
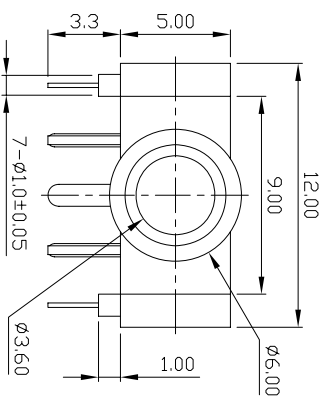
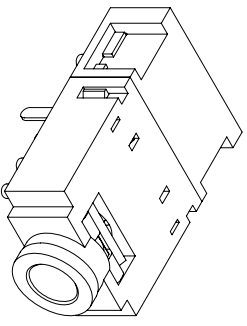
NO	PART NAME	Q'ty	MATERIAL	PLATED	REMARK
7	RING SHUNT	1	BRASS	TIN	
6	TIP SHUNT	1	BRASS	TIN	
5	HOUSING	1	PBT		BLACK
4	BUSHING	1	BRASS	NICKEL	
3	RING	1	COPPER ALLOY	TIN	
2	TIP	1	COPPER ALLOY	TIN	
1	SLEEVE	1	COPPER ALLOY	TIN	

TOLERANCE	Material	PART NAME	REV. B
X	$\pm 0.5$	EARPHONE JACK	
X.X	$\pm 0.3$		
X.XX	$\pm 0.15$		
	Disposal	DATE	10/05/97'
	UNIT	DRAW	Vicky
	mm	SCALE	4:1
		CHECK	Ken
		APPROVE	Copper

**LIH SHENG PRECISION INDUSTRIAL CO., LTD.**

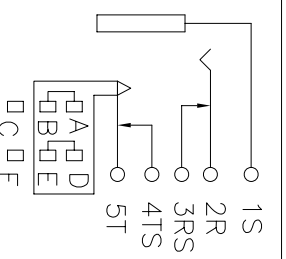


HISTORY X/COUNT	DATE	ECON NO.	REV.	REVISION	SIGN.
△	31/OCT/06	N200910004	A	圖面重繪。	Vicky
△ ×4	22/OCT/09	N200910004	B	變更塑膠材質。	Chris




P.C.B LAYOUT(±0.1)  
(BOTTOM VIEW)

**SCHEMATIC**



NO	PART NAME	Q'TY	MATERIAL	PLATED	REMARK
12	CONTACT CLIP	1	C5210R-EH AG CLAD	SILVER	
11	PIN BOARD	1	PA66 △		
10	INSULATOR	1	PA66 △		
9	HOUSING-B	1	PA66 △		BLACK
8	HOUSING-A	1	PA66 △		BLACK
7	BUSING	1	BRASS		
6	TERMINAL A,B,C,D,E,F	6	BRASS	SILVER	
5	TERMINAL 5	1	COOPER ALLOY	TIN	
4	TERMINAL 4	1	BRASS	TIN	
3	TERMINAL 3	1	BRASS	TIN	
2	TERMINAL 2	1	COOPER ALLOY	TIN	
1	TERMINAL 1	1	COOPER ALLOY	TIN	



**LIH SHENG PRECISION INDUSTRIAL CO., LTD.**

<b>TOLERANCE</b>	<b>MATERIAL</b>	<b>PART NAME</b>	<b>EARPHONE JACK</b>
X ±0.5	X	<b>PART NO.</b>	LJE0364-11
X.X ±0.3	Thickness	<b>DATE</b>	10/05/97
X.XX ±0.15	Disposal	<b>CHECK</b>	KEN
	<b>UNIT</b>	<b>SCALE</b>	3:1
	mm	<b>DRAW</b>	Chris
		<b>APPROVE</b>	Ken