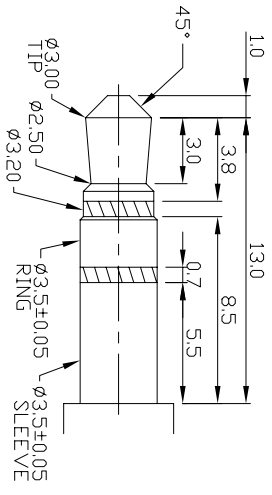
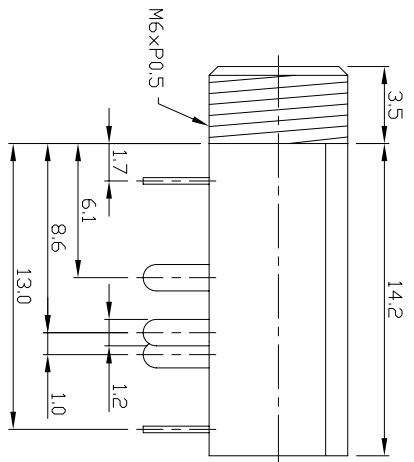


PLUG

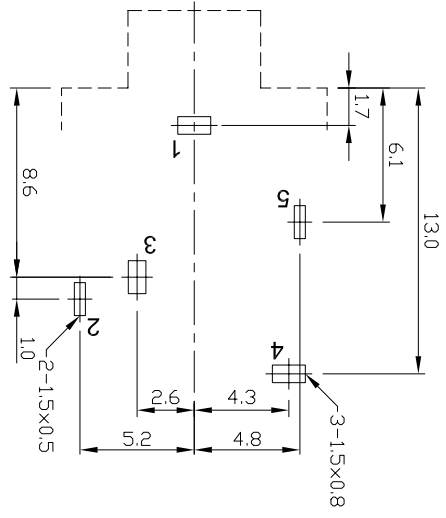
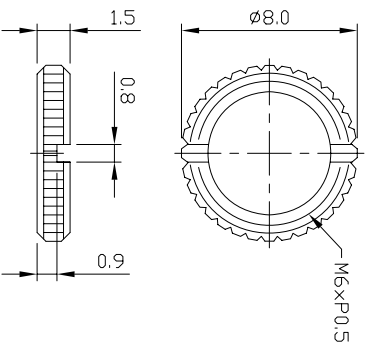


NON THREAD	-5	-4T	-4R	-3RT	-3TS
SCHEMATIC					

9	NUT	1	BRASS	NICKEL	
8	COVER	1	PC		TRANSPARENT
7	HOUSING	1	PBT		BLACK
6	BUSHING	1	BRASS	NICKEL	
5	5#CONTACT FOOT	1	P.B.S	Tin	
4	4#CONTACT FOOT	1	BRASS	Tin	
3	3#CONTACT FOOT	1	BRASS	Tin	
2	2#CONTACT FOOT	1	P.B.S	Tin	
1	1#CONTACT FOOT	1	BRASS	Tin	
NO	PART NAME	Q'TY	MATERIAL	PLATED	REMARK



NUT



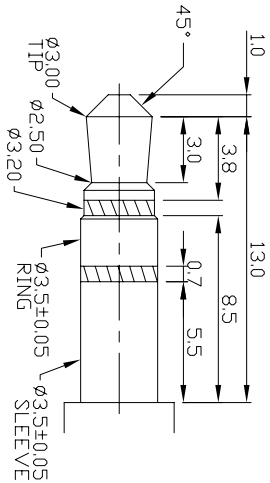
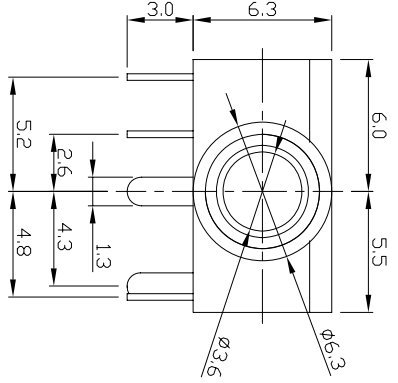
P.C.B. LAYOUT(±0.1)
(BOTTOM VIEW)



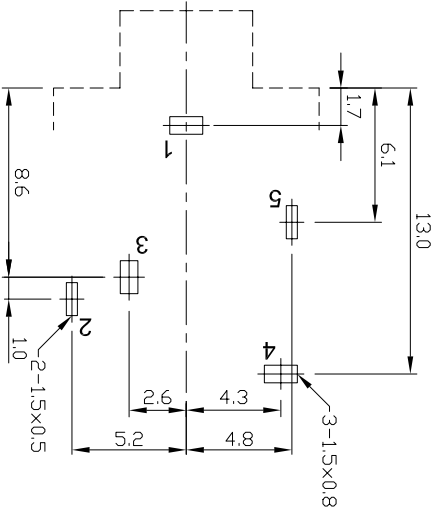
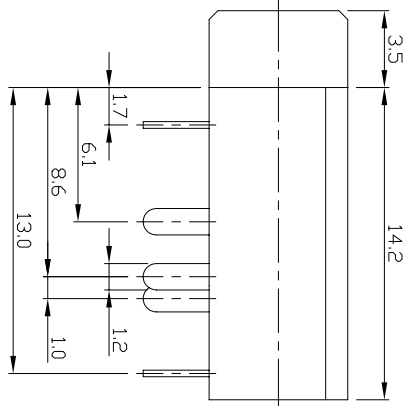
LH SHENG PRECISION INDUSTRIAL CO., LTD.

TOLERANCE		PART NAME		EARRPHONE JACK	
X	±0.5	PART NO.		LJE0365-5-09A	
X.X	±0.3	DATE		12/DEC/11'	
X.XX	±0.15	DRAW		CHECK	
		UNIT		SCALE	
		mm		3:1	
		DRAW		Chris	
		CHECK		Wen1	
		APPROVE		Yen	

HISTORY	DATE	EON NO.	REV.	REVISION	SIGN.
X COUNT	09/AUG/14	B	修改	NUT尺寸	Chris




PLUG



P.C.B. LAYOUT(±0.1)
(BOTTOM VIEW)

NON THREAD	-5	-4T	-4R	-3RT	-3TS
SCHEMATIC					
8 COVER	1	1	1	1	1
7 HOUSING	1	1	1	1	1
6 BUSHING	1	1	1	1	1
5 #CONTACT FOOT	1	1	1	1	1
4 #CONTACT FOOT	1	1	1	1	1
3 #CONTACT FOOT	1	1	1	1	1
2 #CONTACT FOOT	1	1	1	1	1
1 #CONTACT FOOT	1	1	1	1	1
NO PART NAME	QTY	MATERIAL	PLATED	REMARK	
8 COVER	1	PC		TRANSPARENT	
7 HOUSING	1	PBT		BLACK	
6 BUSHING	1	BRASS			
5 #CONTACT FOOT	1	P.B.S	Tin		
4 #CONTACT FOOT	1	BRASS			
3 #CONTACT FOOT	1	BRASS			
2 #CONTACT FOOT	1	P.B.S	Tin		
1 #CONTACT FOOT	1	BRASS	Tin		



LH SHENG PRECISION INDUSTRIAL CO., LTD.

TOLERANCE		PART NAME	
X ±0.5	Material	EARRPHONE JACK	
X.X ±0.3	Thickness	PART NO. LJF0365A-5-09A	
X.XX ±0.15	Disposal	DATE 23/AUG/12'	
	UNIT	DRAW Leo	
	SCALE	CHECK Chris	
		APPROVE Chris	

HISTORY	DATE	EON NO.	REV.	REVISION	SIGN.
X/COUNT					
A					