


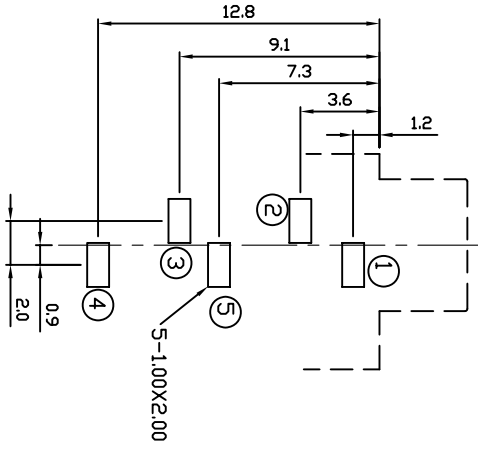
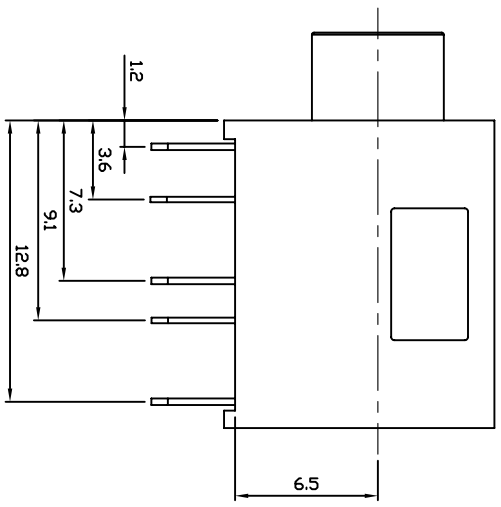
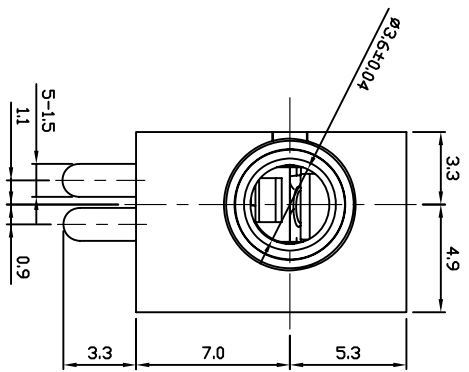
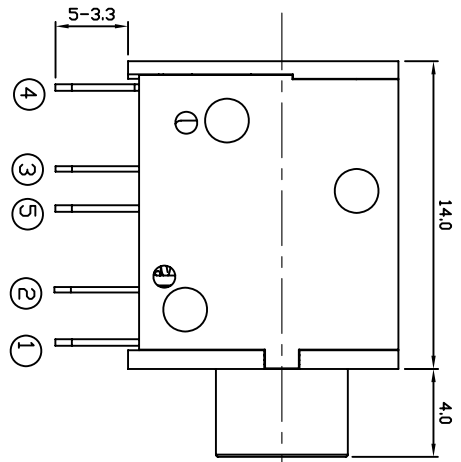


| NO | PART NAME | Q'TY | MATERIAL | PLATED | COLOR |
|----|------------|------|-----------------|--------|-------|
| 8 | COVER | 1 | PBT | | BLACK |
| 7 | HOUSING | 1 | PBT | | BLACK |
| 6 | SPRING | 2 | STAINLESS STEEL | | |
| 5 | TERMINAL 5 | 1 | BRASS | SILVER | |
| 4 | TERMINAL 4 | 1 | BRASS | SILVER | |
| 3 | TERMINAL 3 | 1 | P.B.S | SILVER | |
| 2 | TERMINAL 2 | 1 | P.B.S | SILVER | |
| 1 | TERMINAL 1 | 1 | P.B.S | SILVER | |

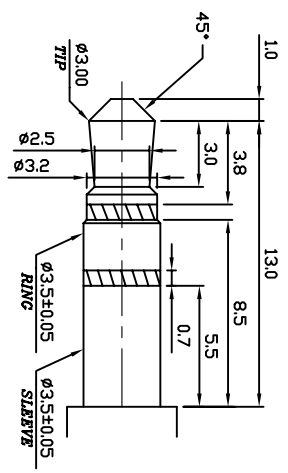
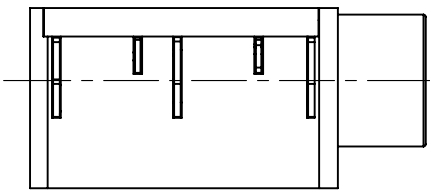


LIH SHENG PRECISION INDUSTRIAL CO., LTD.

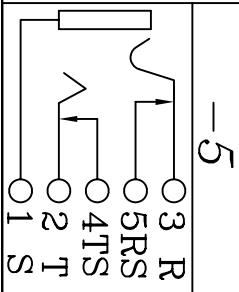
| | | | | | |
|---|-----------|-----------|--|----------------|--|
| TOLERANCE | | PART NAME | | EARRPHONE JACK | |
| X. ±0.5 | Material | PART NO. | | LJE0366CBS-5 | |
| X.X ±0.3 | Thickness | DATE | | 2006.11.16 | |
| X.XX ±0.15 | Disposal | DRAW | | CHECK | |
|  | UNIT | SCALE | | Vicky | |
|  | mm | 3.1 | | Jacky | |
| | | | | Cooper | |




PCB LAYOUT
(BOTTOM VIEW)





PLUG



| NO | PART NAME | Q'TY | MATERIAL | PLATED | COLOR |
|----|------------|------|-----------------|--------|-------|
| 9 | COVER | 1 | PBT | | BLACK |
| 8 | HOUSING | 1 | PBT | | BLACK |
| 7 | SPRING | 2 | STAINLESS STEEL | | |
| 6 | BUSHING | 1 | BRASS | | |
| 5 | TERMINAL 5 | 1 | BRASS | | |
| 4 | TERMINAL 4 | 1 | BRASS | | |
| 3 | TERMINAL 3 | 1 | P.B.S | | |
| 2 | TERMINAL 2 | 1 | P.B.S | | |
| 1 | TERMINAL 1 | 1 | P.B.S | | |



LIH SHENG PRECISION
INDUSTRIAL CO., LTD.

| | | | | | |
|---|-----------|-----------|--|----------------|--|
| TOLERANCE | | PART NAME | | EARRPHONE JACK | |
| X. ±0.5 | Material | PART NO. | | LJE0366DS-5 | |
| X.X ±0.3 | Thickness | DATE | | 2006.11.16 | |
| X.XX ±0.15 | Disposal | DRAW | | CHECK | |
|  | UNIT | SCALE | | DRAW | |
|  | mm | 3:1 | | Vicky | |
| | | Vicky | | Jacky | |
| | | | | Cooper | |