
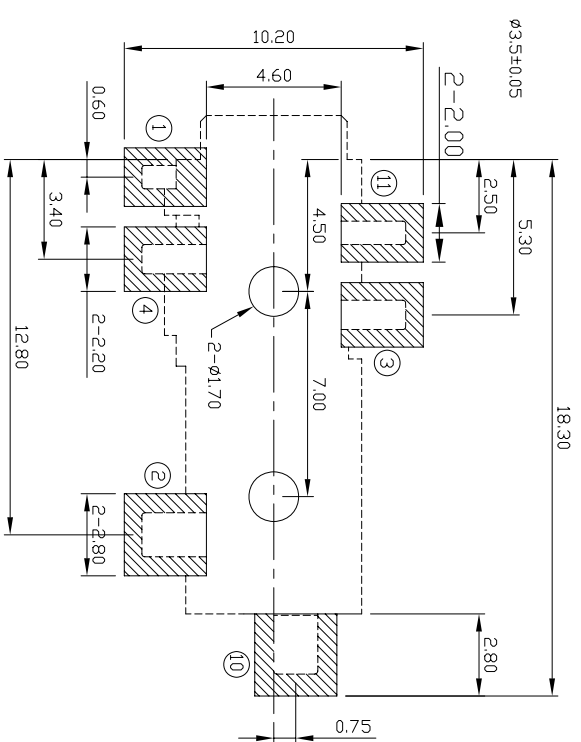
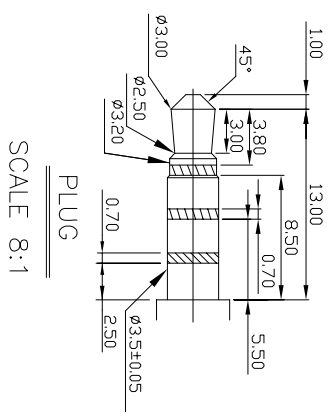
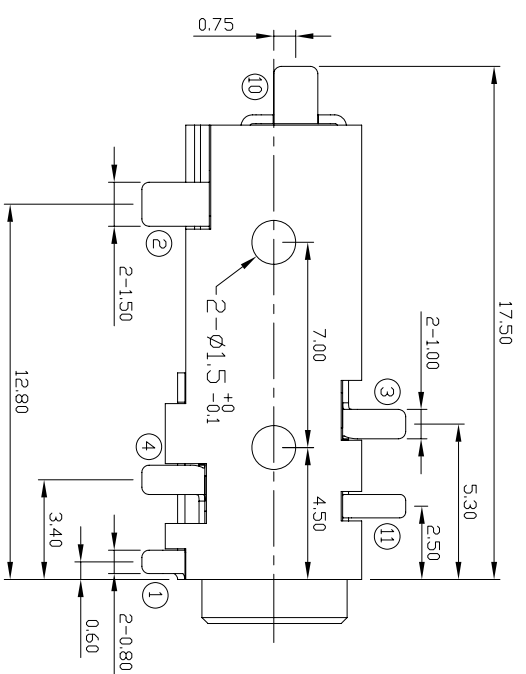
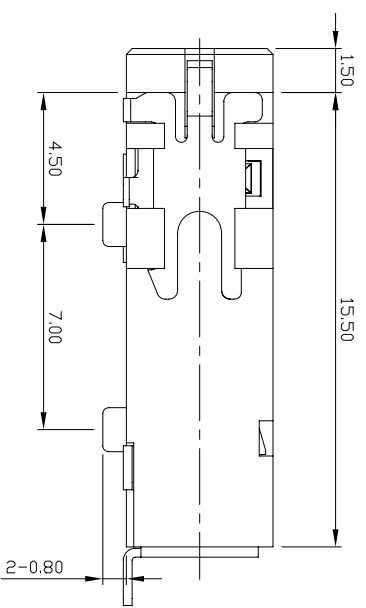
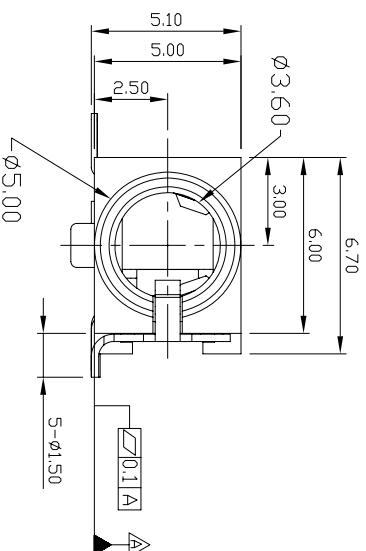
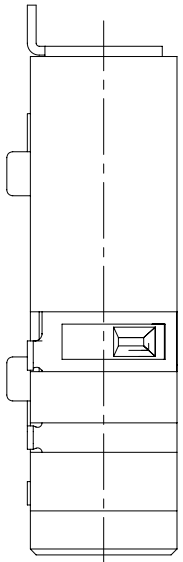


NO	PART NAME	QTY	MATERIAL	PLATED	REMARK
5	HOUSING	1	COPPER ALLOY	SILVER	BLACK
4	TERMINAL 4	1	COPPER ALLOY	SILVER	
3	TERMINAL 3	1	COPPER ALLOY	SILVER	
2	TERMINAL 2	1	COPPER ALLOY	SILVER	
1	TERMINAL 1	1	COPPER ALLOY	SILVER	

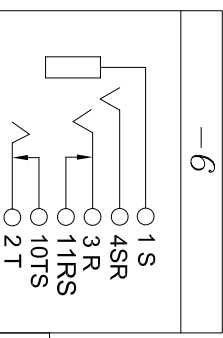


LIH SHENG PRECISION INDUSTRIAL CO., LTD.

TOLERANCE		PART NAME	
X ±0.5	Material	EARRPHONE JACK	
X.X ±0.3	Thickness	PART NO. LJE0379-4P	
X.XX ±0.15	Disposal	DATE 30/JUN/09	
	UNIT mm	DRAW CHRIS	
	SCALE 4:1	CHECK CHRIS	
		APPROVED KEN	



7	HOUSING	1	COPPER ALLOY	△	BLACK	
6	TERMINAL 11	1	COPPER ALLOY			
5	TERMINAL 10	1	BRASS			
4	TERMINAL 4	1	COPPER ALLOY			
3	TERMINAL 3	1	COPPER ALLOY			
2	TERMINAL 2	1	COPPER ALLOY			
1	TERMINAL 1	1	COPPER ALLOY			
NO		PART NAME	QTY	MATERIAL	PLATED	REMARK



TOLERANCE		Material		PART NAME		EARTHPHONE JACK	
X	±0.5	Thickness		PART NO.	LJE0379-6	DATE	30/JUN/09
X.X	±0.3	Disposal		SCALE	4:1	CHECK	Chris
X.XX	±0.15	UNIT	mm	DRAW	Leo	APPROVED	Ken

LIH SHENG PRECISION INDUSTRIAL CO., LTD.

HISTORY	DATE	ECON NO.	REV.	REVISION	SIGNL.
X COUNT	22/JUL/09	N200907003	D	開孔更新	LEO
△ X1	29/DEC/09	N200912007	E	變更塑膠材料	CHRS