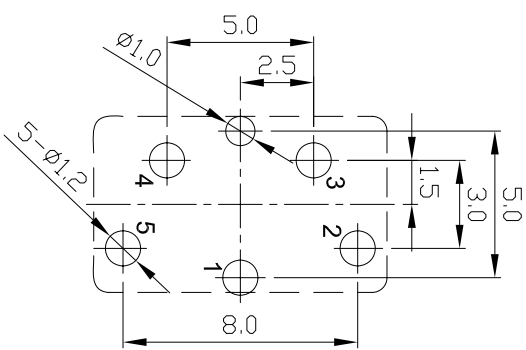
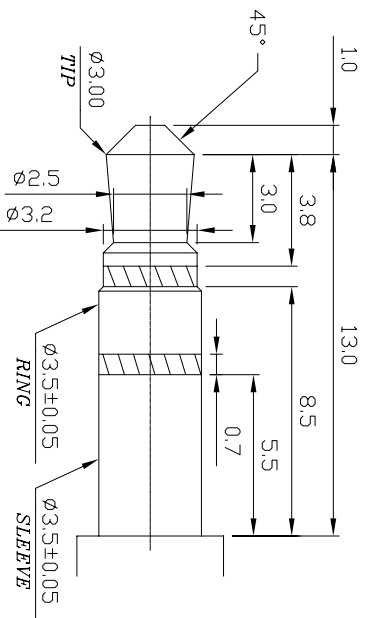
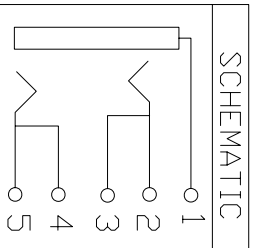


PLUG



PCB LAYOUT
(BOTTOM VIEW) ±0.1



4	HOUSING	1	PBT			BLACK
3	RING SHUNT	2	BRASS	TIN		
2	TIP SPRING	2	P.B.S	TIN		
1	TERMINAL	1	P.B.S	TIN		
NO	PART NAME	QTY	MATERIAL	PLATED	REMARK	



**LIH SHENG PRECISION
INDUSTRIAL CO., LTD.**

TOLERANCE	Material	PART NAME	EARPHONE JACK
X ±0.5		PART NO.	LJE0398-5
X.X ±0.3	Thickness	DATE	18/OCT/06
X.XX ±0.15	Disposal	DRAW	CHECK
	UNIT	SCALE	Ken
	mm	4:1	Cooper