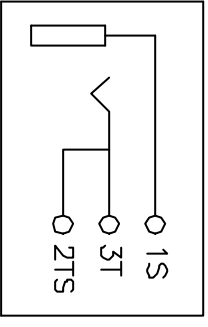
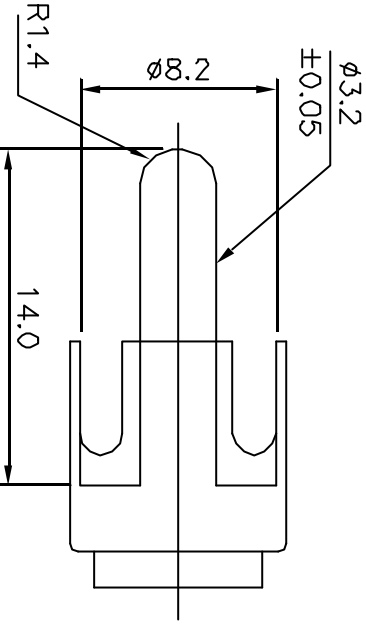


P.C.B LAYOUT
(BOTTOM VIEW) (±0.1)



5	BODY	1	PBT 94V-0	BLACK	REVISION	2(12/27/01)
4						
3	TIP	1	P.B.S	Tin / LEAD		
2	TIP SHUNT	1	BRASS	Tin / LEAD		
1	SLEEVE	1	BRASS	Nickel		
NO	PART NAME	Q'TY	MATERIAL	PLATED	COLOR	

LIH SHENG PRECISION
INDUSTRIAL CO., LTD.

PART NAME		EARPHONE JACK	
PART NO.		LP-0841-3	
SCALE: 4/1	UNIT	DATE	DRAW
M/M	M/M	09/11/98	LEE WEN-CHENG
TOLERANCE		CHECK	
X ±0.6	X.X ±0.3	X.XX ±0.15	
PART NAME		CHECK	
PART NO.		X.XX	
SCALE: 4/1		APPROVE	
UNIT		DATE	
M/M		09/11/98	
DRAW		LEE WEN-CHENG	