

P.C.B LAYOUT
BOTTOM VIEW

LPA0868 □ △ — □ □ — □ □ □ □ □ □ □ □
 (1) (2) (3) (4) (5) (6)

(1):Series No.

(2):Metal Shielding

	M
Without Shielding	With Shielding

(3):Optional Plastic Material Code

(4):Terminal Plating

3	5
Sn/Cu	Gold 2u"

(5):Bushing Plating

2	5
NICKEL	Gold 2u"

(6):Insulator Color Code:(A → B → A1 → B1 → A2 → B2)

1	2	3	4	5
Black	Red	White	Yellow	Blue
6	7	8	9	
Gray	Green	Orange	Brown	

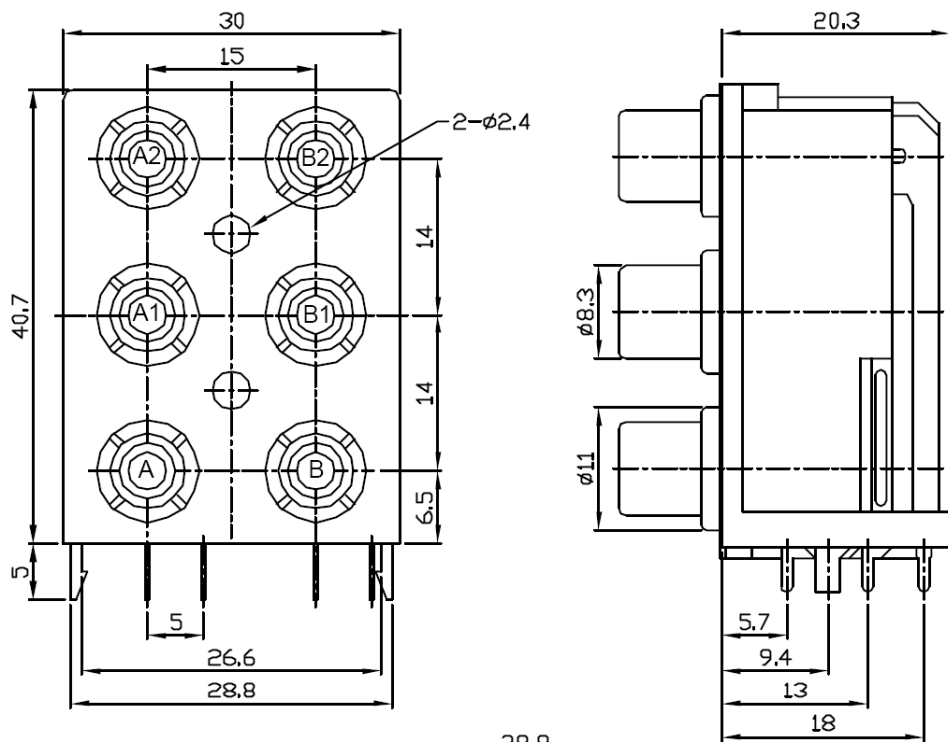
6						
5						REVISION 5<08/05/04>
4	BODY	1	A.B.S 757			
3	WASHER	6	A.B.S 757			
2	SCREW TREMINAL	6	C2680R-H	NICKEL		
1	TREMINAL	12	C2720R-H	Sn/Cu		
NO	PART NAME	Q'TY	MATERIAL	PLATED	COLOR	

LIH SHENG PRECISION INDUSTRIAL CO., LTD.

TOLERANCE
 X. ±0.5
 X.X ±0.3
 X.XX ±0.15

PART NAME: RCA JACK
 PART NO.: LPA0868-

SCALE: 1.5/1 UNIT: M/M DATE: 08/06/00' DRAW: LEE WEN-CHENG CHECK: APPROVE:



LPA0868 M △ — □ □ — A B A1 B1 A2 B2
 (1) (2) (3) (4) (5) (6)

(1): Series No.

(2): Metal Shielding

	M
Without Shielding	With Shielding

(3): Optional Plastic Material Code

(4): Terminal Plating

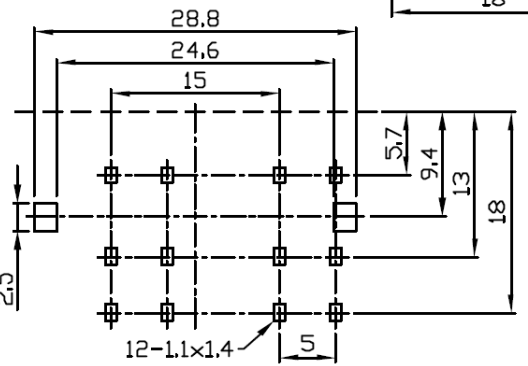
3	5
Sn/Cu	Gold 2u"

(5): Bushing Plating

2	5
NICKEL	Gold 2u"

(6): Insulator Color Code: (A → B → A1 → B1 → A2 → B2)

1	2	3	4	5
Black	Red	White	Yellow	Blue
6	7	8	9	
Gray	Green	Orange	Brown	



P.C.B LAYOUT
BOTTOM VIEW

NO	PART NAME	QTY	MATERIAL	PLATED	COLOR
6					
5	SHIELD	1	C2680R-H	NICKEL	
4	BODY	1	A.B.S 757		
3	WASHER	6	A.B.S 757		
2	SCREW TREFINAL	6	C2680R-H	NICKEL	
1	TREFINAL	12	C2720R-H	Sn/Cu	

REVISION
5(08/05/04')

LIH SHENG PRECISION INDUSTRIAL CO., LTD.

TOLERANCE
X. ±0.5
X.X ±0.3
X.XX ±0.15

PART NAME **RCA JACK**
PART NO. **LPA0868M-**

SCALE: 1.5/1 UNIT DATE DRAW CHECK APPROVE
 M/M 08/06/00' LEE VEN-CHENG