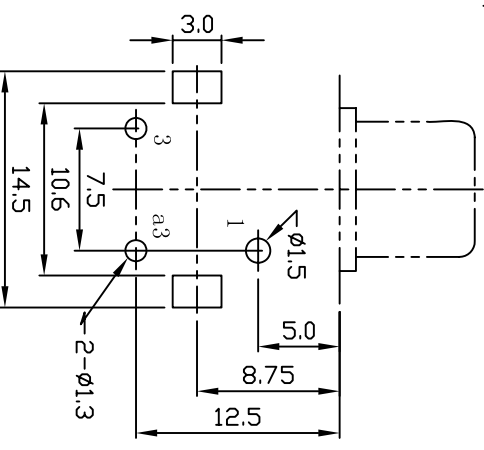


NO	PART NAME	Q'TY	MATERIAL	PLATED	REMARK
6	COVER	1	ABS		BLACK
5	WASHER	2	ABS		
4	HOUSING	1	ABS		BLACK ▲
3	CONTACT-03	1	BRASS		
2	CONTACT-3	1	BRASS		
1	SHIELD+1pin	1	BRASS		

P.C.B LAYOUT
BOTTOM VIEW(±0.1)



LPA0871 □ ▽ □ □ □ □ □ A A1
 (1) (2) (3) (4) (5) (6)

(1):Series No.

(2):Metal Shielding

Without Shielding	M
With Shielding	

(3):Optional Plastic Material Code

(4):Terminal Plating

3	5
Sn/Cu	Gold 2u"

(5):Bushing Plating

2	5
Nickel	Gold 2u"

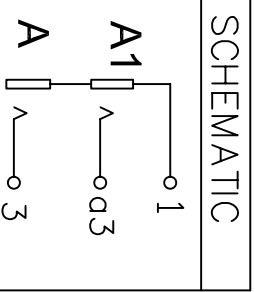
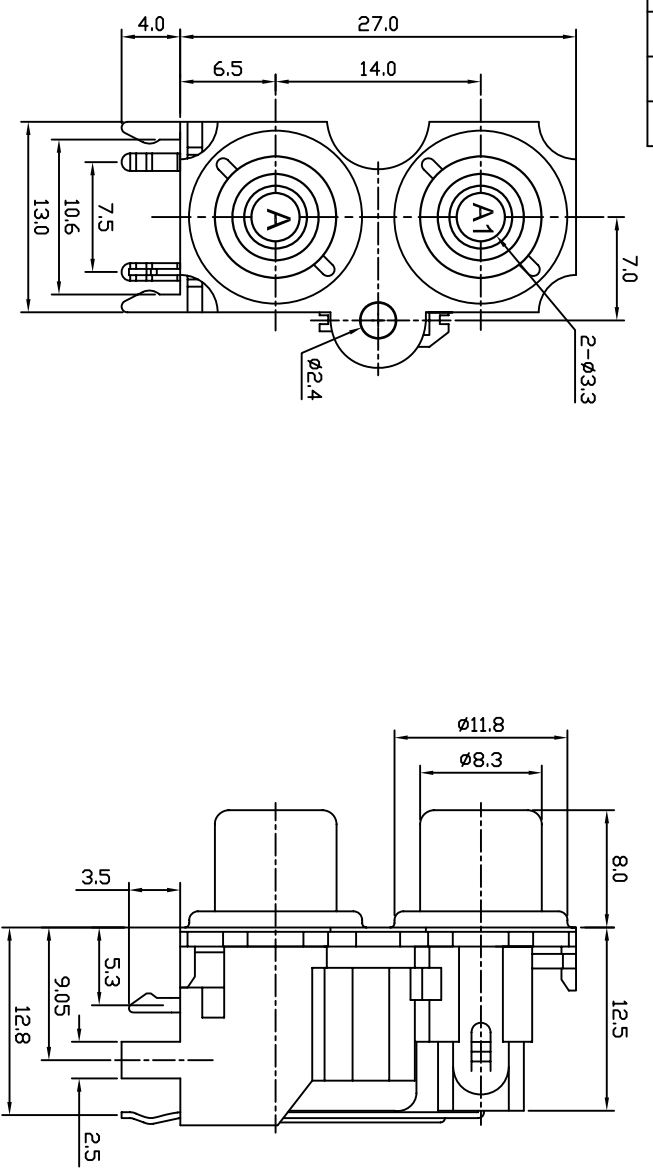
(6):Insulator Color Code:(A— A1)

1	2	3	4	5
Black	Red	White	Yellow	Blue
6	7	8	9	
Gray	Green	Orange	Brown	

LS INDUSTRIAL CO., LTD.

LIH SHENG PRECISION

TOLERANCE	MATERIAL	PART NAME	RCA JACK
X. ±0.5		PART NO.	LPA0871-32-
X.X ±0.3		DATE	03/09/06
X.XX ±0.15	Disposal	DRAW	CHECK
	UNIT	SCALE	Ken
	mm	1:1	Cooper



NO	PART NAME	Q'TY	MATERIAL	PLATED	REMARK
7	WASHER	2	ABS		
6	COVER	1	ABS		BLACK
5	HOUSING	1	ABS		BLACK ▲
4	BRASS COVER	1	BRASS	NICKEL	
3	TERMINAL -A3	1	BRASS	TIN	
2	TERMINAL -3	1	BRASS	TIN	
1	SHIELD+1pin	1	BRASS	NICKEL	

P.C.B LAYOUT(+0.1)
(BOTTOM VIEW)

LPA0871 [M] ▲ □ □ □ — [A] [A1]
 (1) (2) (3) (4) (5) (6)

(1):Series No.

(2):Metal Shielding

Without Shielding	M
With Shielding	

(3):Optional Plastic Material Code

3	5
Sn/Cu	Gold 2u"

(4):Terminal Plating

2	5
Nickel	Gold 2u"

(5):Bushing Plating

1	2	3	4	5
Black	Red	White	Yellow	Blue
6	7	8	9	
Gray	Green	Orange	Brown	

(6):Insulator Color Code:(A—A1)

LIH SHENG PRECISION INDUSTRIAL CO., LTD.

TOLERANCE		PART NAME		RCA JACK	
X.	±0.5	PART NO.		LPA0871M-32-	
X.X	±0.3	DATE		01/12/06'	
X.XX	±0.15	DRAW		CHECK	
		UNIT		SCALE	
		mm		1:1	
		Chris		Ken	
		APPROVE		Cooper	

HISTORY X-COUNT	DATE	ECN NO.	REV.	REVISION	SIGN.
▲ x1	03/16/06'		B	塑膠顏色由紅色改爲黑色	CHRIS