



40mm Wire Wound Potentiometer



Part Number

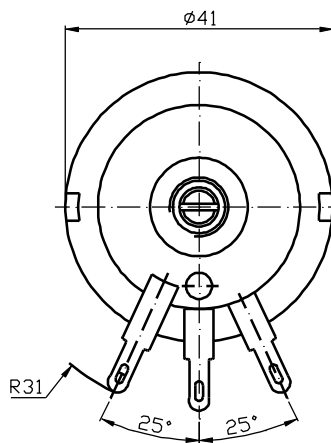
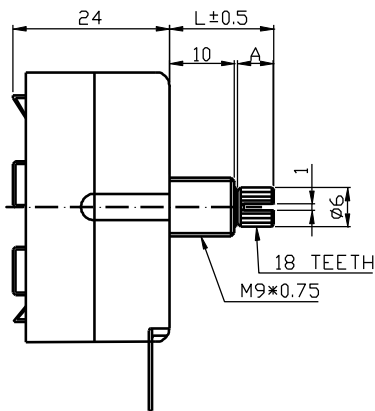
PW40 – 10K, L- 16 KC

Resistance value

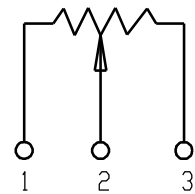
Shaft Length

Shaft Type

Dimensions

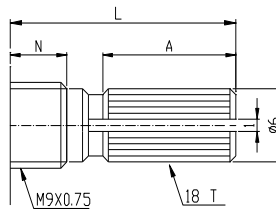


CIRCUIT



Shaft Type

KC Type



KC	N=	10	20	
	L=	16	20	30
	A=	5	9	9

**40mm Wire Wound Potentiometer****General**

Operating temperature	-10°C ~ +70°C
Manual soldering	300°C Max 3sec

Electrical Characteristics

Total resistance	5Ω ~ 3K	
Resistance tolerance	± 20 %	
Resistance taper	B Type	
Rated power(W)	15 W	
Insulation resistance	Over 100 MΩ with DC 500 V put between the terminal and the shaft.	
Residual resistance	4 ~ 50 Ω Less than 0.5 Ω	101 ~ 500 Ω Less than 2 Ω
	51 ~ 100 Ω Less than 1 Ω	1K ~ 5K Ω Less than 2% Ω
Withstand voltage	1 Minute against 50HZ 500V put between the terminal and the shaft.	

Mechanical Characteristics

Total rotational angle	300 °± 5 °
Rotational torque	50 ~ 300 gf.cm
Nut fastening strength	10 ~ 12 Kgf.cm
Shaft push-pull strength	1 Kgf.cm
Rotational life	15,000 Cycles