



**16mm Insulated Type Rotary Potentiometer - Single Unit**

**R16KP3**



**Part Number**

**R16KP3 - B 50K, L - 20 KC**

Taper

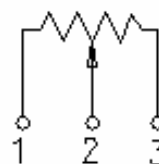
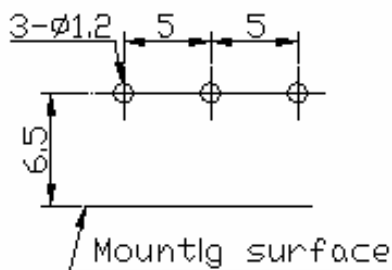
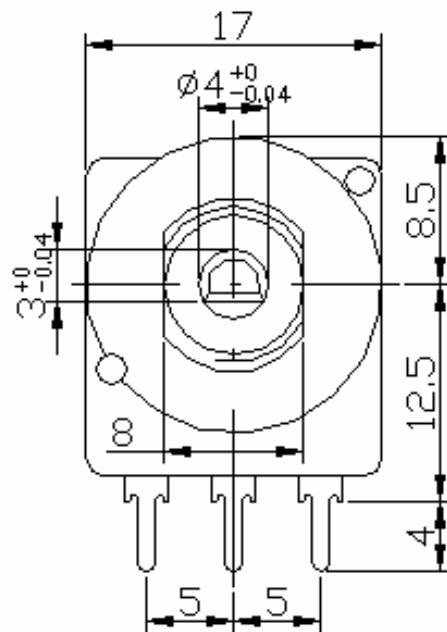
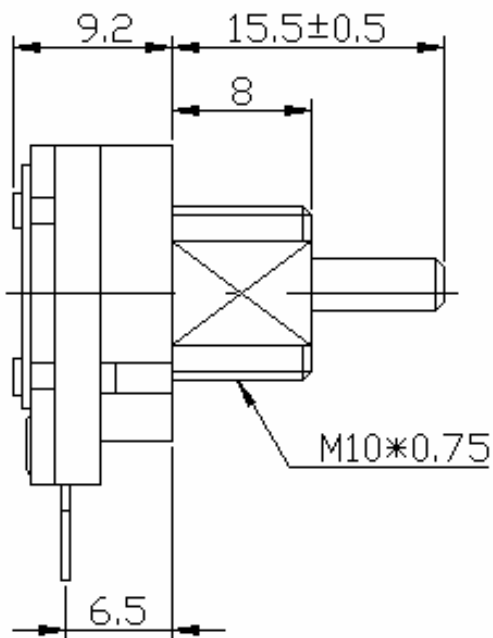
Resistance Value

Shaft Type

Shaft Length

★ **This item is available with Push Switch.**

Dimensions



# 16mm Insulated Type Rotary Potentiometer - Single Unit

## Electrical Characteristics

All Resistance	1K ~ 1MΩ				
All Resistance Tolerance	± 20%				
Resistance Taper	A. B. C. Taper				
Resistance Taper Characteristics	A50%	B50%	C50%	D50%	W50%
	15-25%	40-60%	75-85%	2-15%	45-55%
Rated Power	0.5 W				
Residual Resistance	Between Terminal 1~2 10Ωmax.				
	Between Terminal 2~3 10Ωmax.				
Noise	47 mV max.				
Insulation Resistance	200MΩ at 500V DC Min.				
Withstand Voltage	Over 5000V				
Rotational Life	More than 10,000 Cycles				

## Mechanical Characteristics

Total Rotational Angle	270° ± 5°
Stopper Strength	8kgf.cm Min.
Rotational Torque	20~200gf.cm
Switch Rating	2A at 250V
Switch Action Distance	3mm
Solder Heat	300°C, 3sec (Only For Hand-Soldering)
Remark	Shaft: Plastic Bushings Material: Plastic