



9mm Metal Shaft Rotary Potentiometer – With Switch

RK0971S



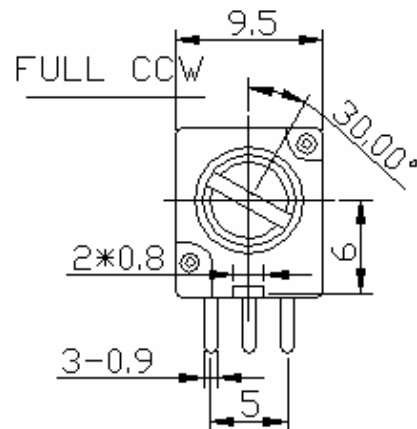
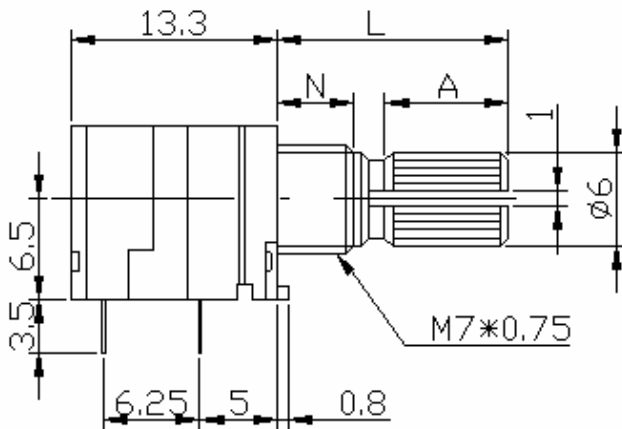
Part Number

RK0971 S- B 50K, L - 20 KC

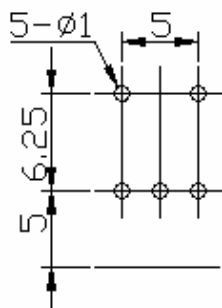
↓ Taper ↓ Resistance Value ↓ Shaft Type

↓ With Switch ↓ Shaft Length

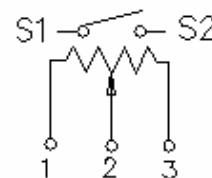
Dimensions



P.C.B LAYOUT



CIRCUIT



9mm Metal Shaft Rotary Potentiometer – With Switch

RK0972S

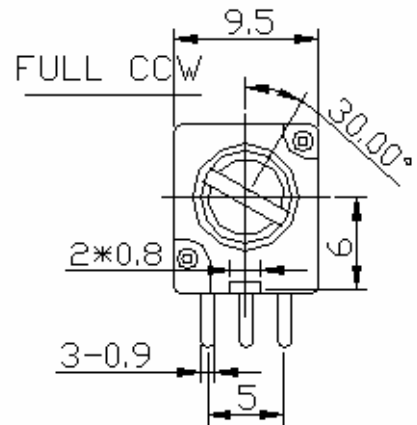
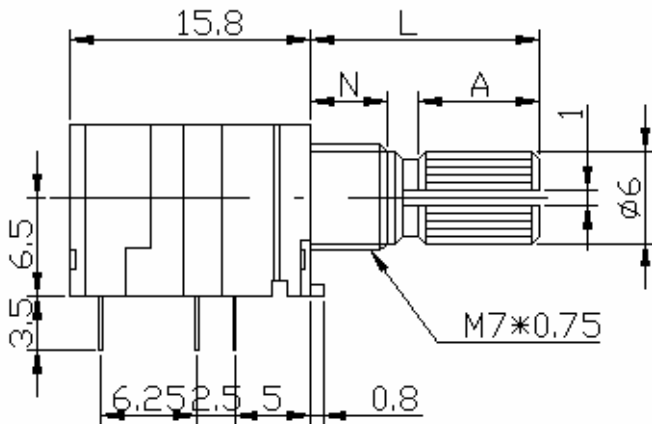


Part Number

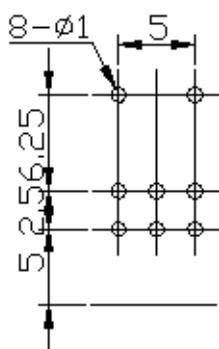
RK0972 S- B 50K, L - 20 KC

↓ Taper ↓ Resistance Value ↓ Shaft Type
 ↓ With Switch ↓ Shaft Length

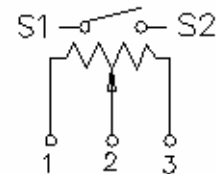
Dimensions



P.C.B LAYOUT



CIRCUIT



9mm Metal Shaft Rotary Potentiometer – With Switch

RK0973S

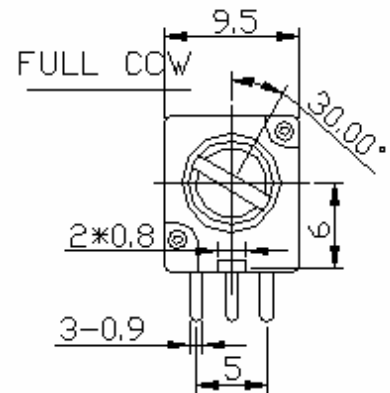
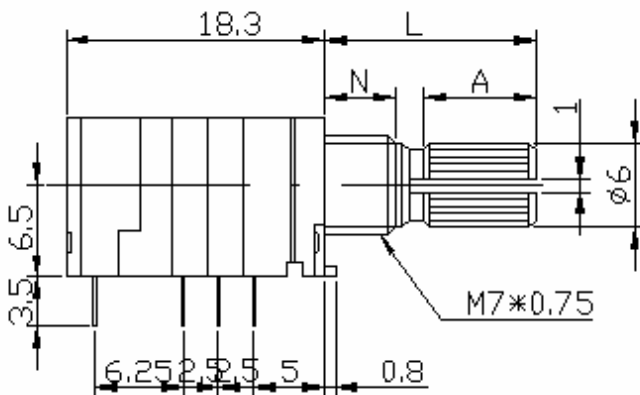


Part Number

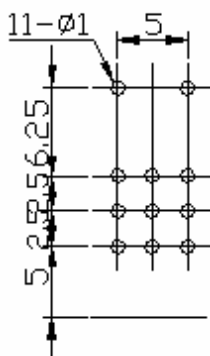
RK0973 S- B 50K, L - 20 KC

↓ Taper ↓ Resistance Value ↓ Shaft Type
 With Switch Shaft Length

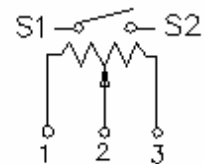
Dimensions



P.C.B LAYOUT



CIRCUIT



9mm Metal Shaft Rotary Potentiometer – With Switch

RK0974S

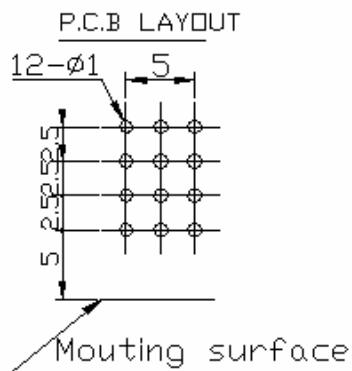
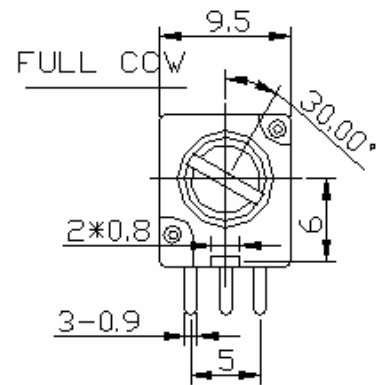
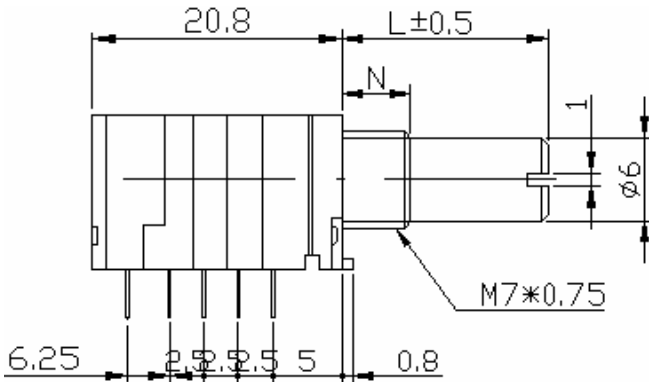


Part Number

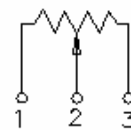
RK0974 S- B 50K, L - 20 KC

↓ Taper ↓ Resistance Value ↓ Shaft Type
 ↓
 With Switch ↓ Shaft Length

Dimensions



CIRCUIT



9mm Metal Shaft Rotary Potentiometer – With Switch

RK0975S

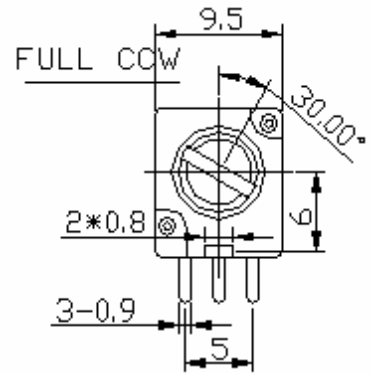
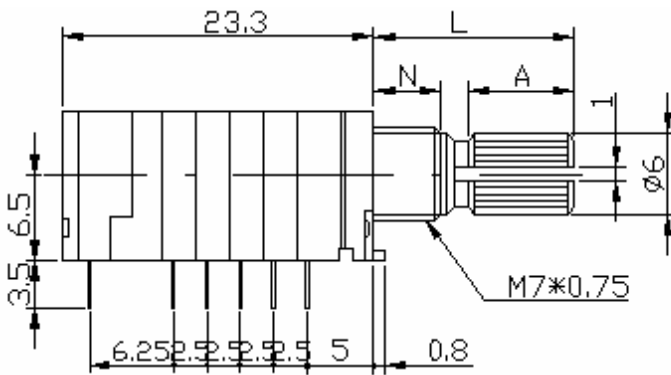


Part Number

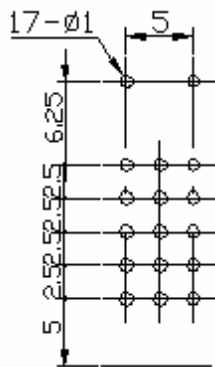
RK0975 S- B 50K, L - 20 KC

↓ Taper ↓ Resistance Value ↓ Shaft Type
 ↓ With Switch ↓ Shaft Length

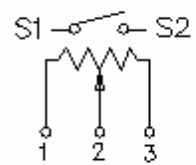
Dimensions



P.C.B LAYOUT



CIRCUIT



9mm Metal Shaft Rotary Potentiometer – With Switch

RK0976S

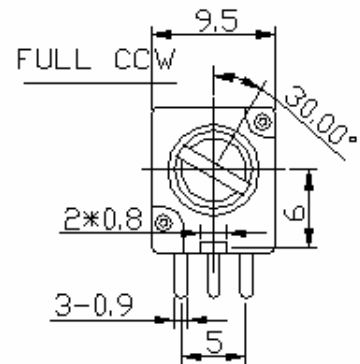
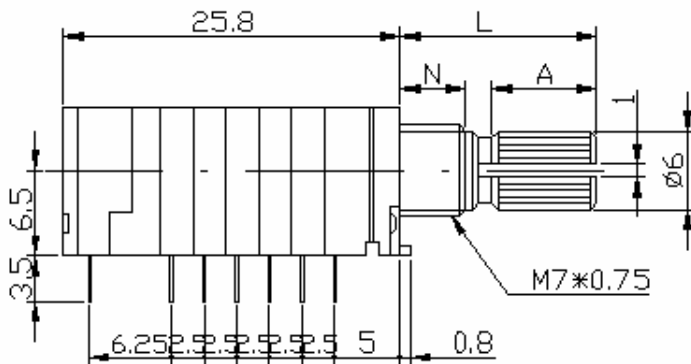


Part Number

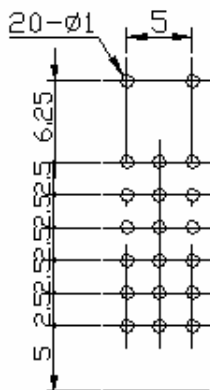
RK0976 S- B 50K, L - 20 KC

↓ Taper ↓ Resistance Value ↓ Shaft Type
 ↓ With Switch ↓ Shaft Length

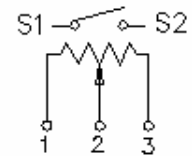
Dimensions



P.C.B LAYOUT



CIRCUIT



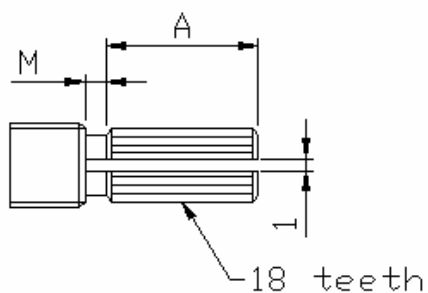
9mm Metal Shaft Rotary Potentiometer – with Switch

Shaft Type

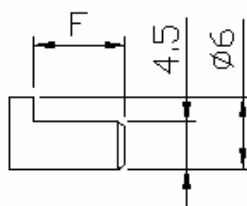
Bushing Length

N	5	7
---	---	---

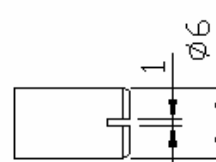
KC TYPE



F TYPE



RE TYPE



KC TYPE

N=5mm

L	12	15	20	25
A	3.5	7.5	12	12
M	0.5	1	2	2

F TYPE

N=5mm

L	15	20	25
F	7.5	12	12

RE TYPE

N=5mm

L	15	20	25
---	----	----	----

9mm Metal Shaft Rotary Potentiometer – With Switch

Electrical Characteristics

Total Resistance	1K ~ 500K Ω				
Total Resistance Tolerance	$\pm 20\%$				
Resistance Tape	A. B. C. D. W. Taper				
Resistance Taper Characteristics	A50%	B50%	C50%	D50%	W50%
	15-25%	40-60%	75-85%	2-15%	45-55%
Rated Power	B Taper 0.05 W , Other Tapers 0.02 W				
Residual Resistance	$R \cong 250K\Omega \ 0.1\%$				
	250K Ω > R > 10K Ω 20 Ω Max. (between Term. 1, 2)				
	10K Ω \cong R 20 Ω Max. (between Term. 1, 2)				
Noise	Less than 100 mV				
Gang Error	0 ~ -40 dB \cong 3dB (3dB Max.)				
Insulation Resistance	DC 250V 100M Ω				
Withstand Voltage	1 minute at AC 300V				
Switch Rating	DC 16V 1A				
Switch Contact Resistance	$\cong 50m \ \Omega$				
Sliding Life	15,000 Cycles				

Mechanical Characteristics

Total Rotational Angle	300° $\pm 5^\circ$
Operating Force	20 ~ 200gf.cm
Stopper Strength	5 kgf.cm max.
Switch Working Force	$\cong 400$ gf.cm
Switch Working Angle	$\cong 50^\circ$

Shaft Push-Pull Strength	10 kgf.cm Max.
Shaft Lever Wobble	0.6 x L/ 20 mm p-p max. (L: lever length both side)
Soldering Heat	300°C, 3sec. (Only for Hand-Soldering)