

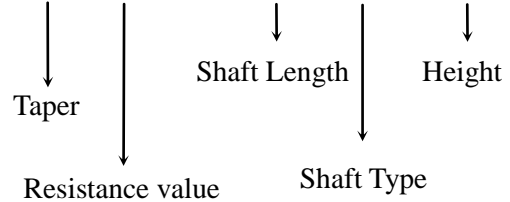


12mm Metal Shaft Rotary Potentiometer – With Switch

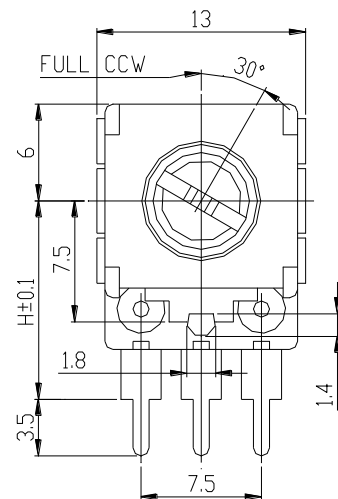
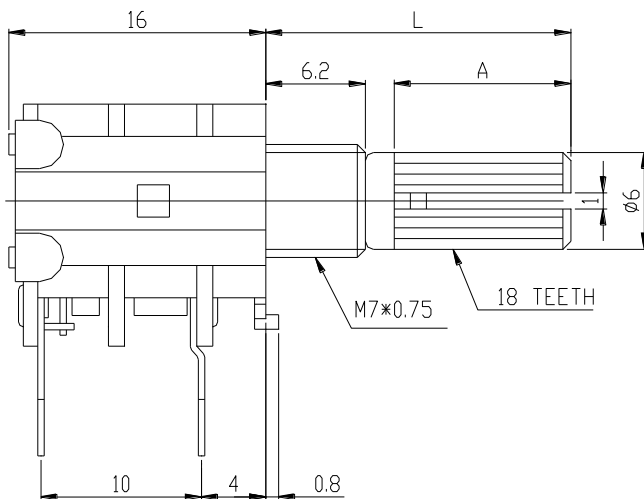


Part Number

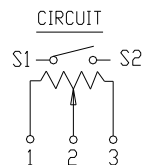
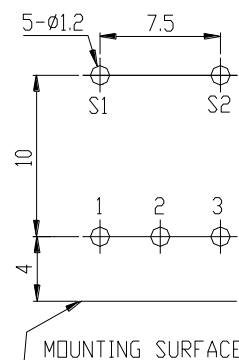
RK1221S – B 50K, L- 20 KC / H=10



Dimensions



PCB LAYOUT



H	10	12.5
----------	-----------	-------------

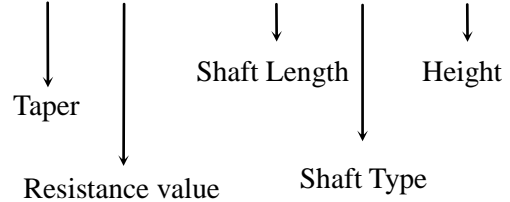


12mm Metal Shaft Rotary Potentiometer – With Switch

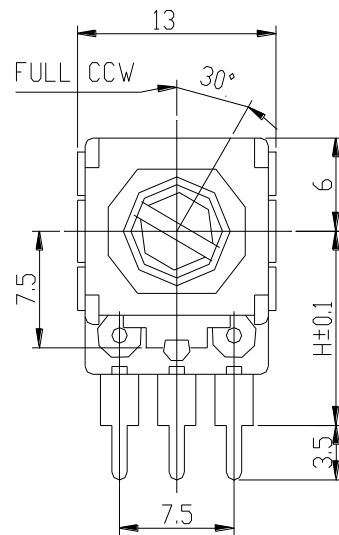
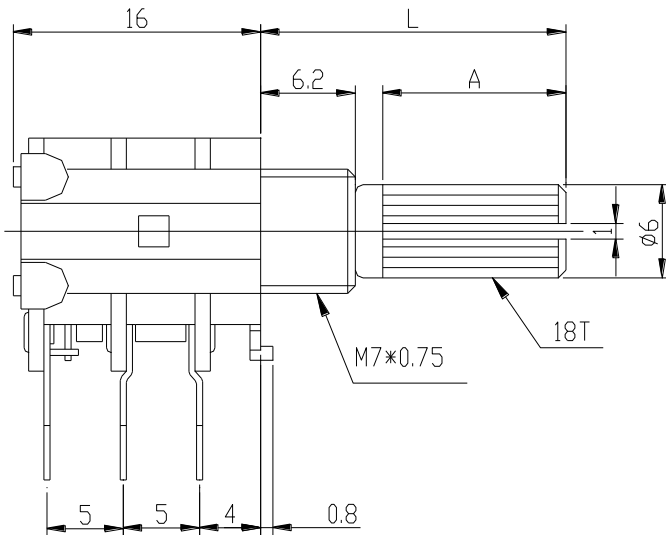


Part Number

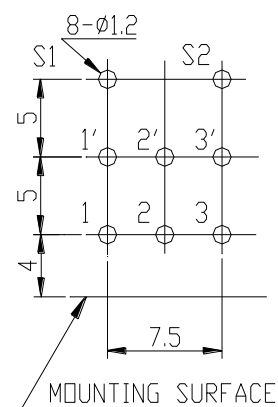
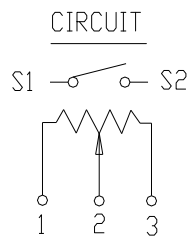
RK1222S – B 50K, L- 20 KC / H=10



Dimensions



P.C.B LAYOUT



H	10	12.5
----------	-----------	-------------

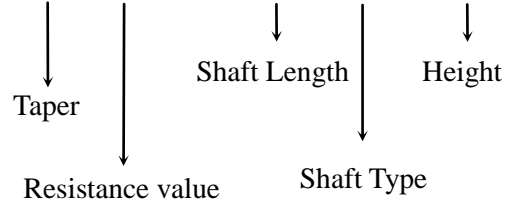


12mm Metal Shaft Rotary Potentiometer – With Switch

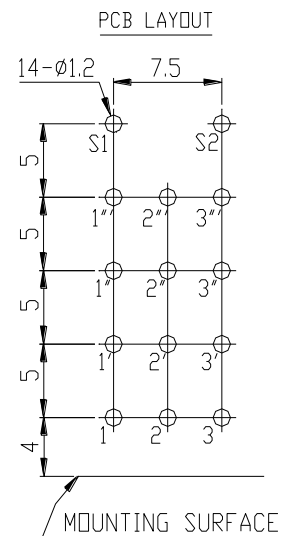
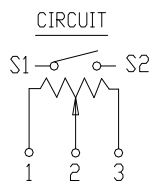
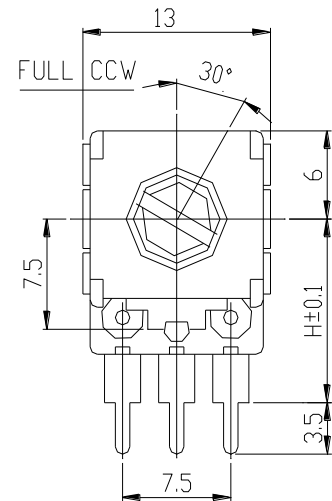
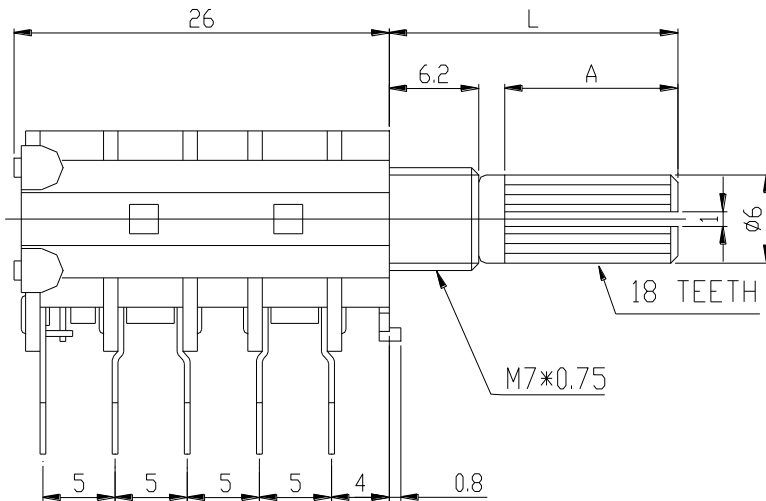


Part Number

RK1224S – B 50K, L- 20 KC / H=10



Dimensions



H	10	12.5
----------	-----------	-------------



12mm Metal Shaft Rotary Potentiometer – With Switch

Shaft Type

KC/CI Type				F Type			
L	15	20	25	L	15	20	25
A	6.5	11.5	14	F	7	12	12

R Type					RE Type				
L	15	20	25	30	L	15	20	25	30

**12mm Metal Shaft Rotary Potentiometer – With Switch****General**

Operating temperature	-10 °C ~ +70 °C
Manual soldering	300 °C Max 3sec

Electrical Characteristics

Total resistance	1K ~ 500K Ω
Resistance tolerance	±20%
Resistance taper	A B C D W
Sliding noise	Less than 47 mV Max
Residual resistance	R > 10K : ≤ 20Ω R ≤ 10K : ≤ 10Ω
Insulation resistance	More than 100MΩ at DC 250V
Switch contact resistance	≤ 0.5Ω
Rated power(W)	B taper : 0.1W Other tapers : 0.05W
Switch rated power	12V DC / 1A
Max. Operating voltage	30V AC/DC
Withstand voltage	1 Minute at AC 300 V
Gang error	-40dB ~ 0dB ≤ 3dB

Mechanical Characteristics

Total rotational angle	300°±10°
Switch angle	35°±5°
Rotational torque	20~200 gf.cm
Switch action	150~300 gf.cm
Shaft push-pull strength	8 Kgf.cm Max
Rotational stopper strength	3 Kgf.cm Max
Rotational life	15,000 Cycles.
Switch life	10,000 Cycles