



8mm Semi-Fixed Carbon Potentiometer

T08-2

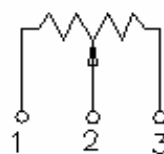
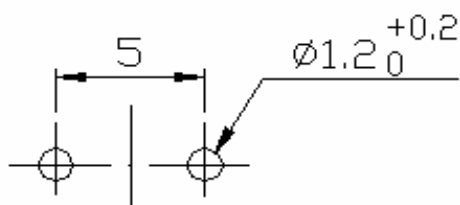
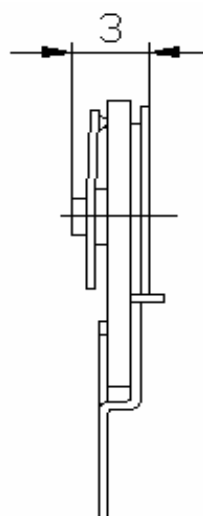
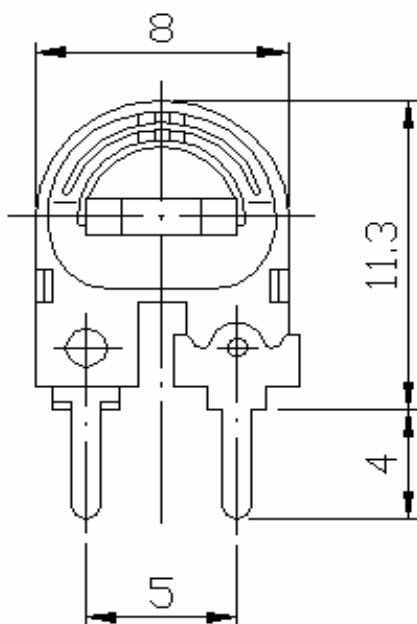


Part Number

T08-2 – 5K

↓
Resistance Value

Dimensions



8mm Semi-Fixed Carbon Potentiometer

T08-3

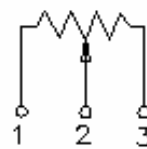
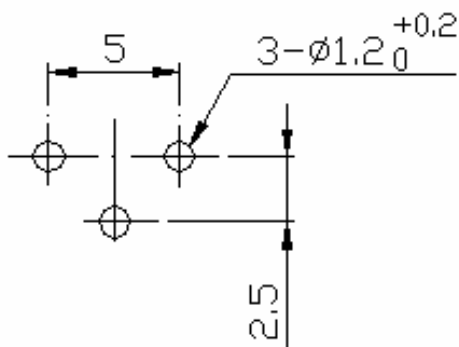
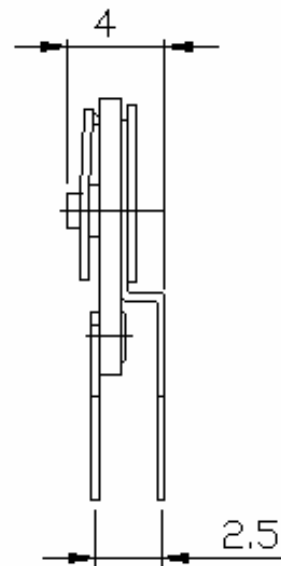
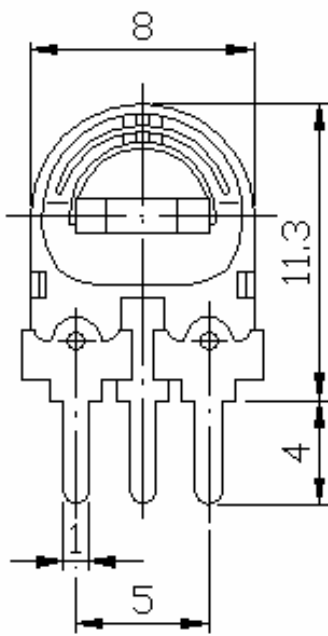


Part Number

T08-3 – 5K

Resistance Value

Dimensions



8mm Semi-Fixed Carbon Potentiometer

T08-5

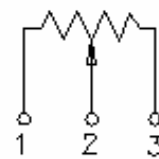
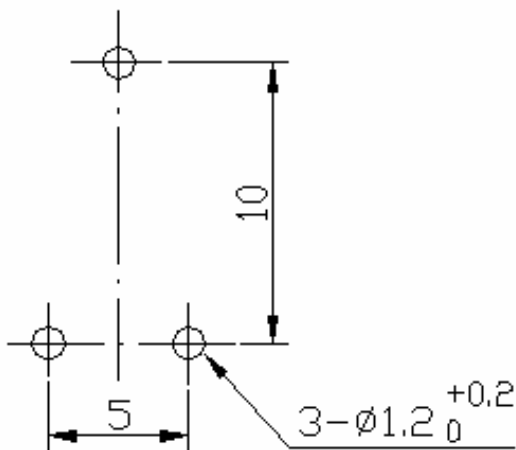
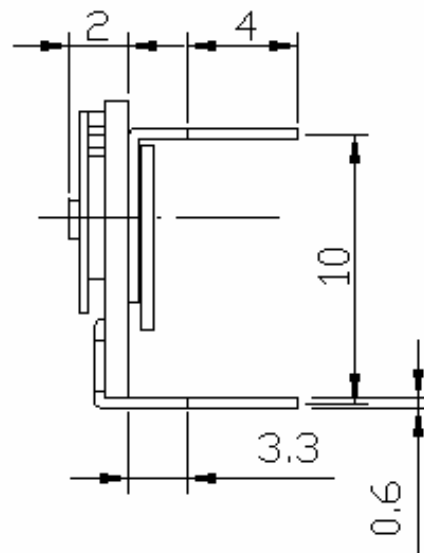
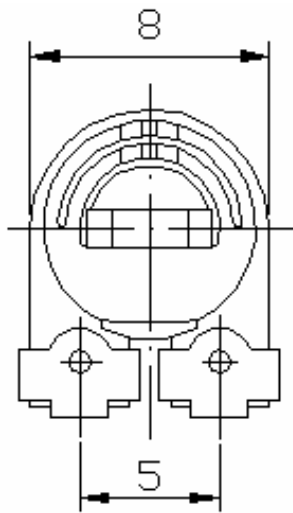


Part Number

T08-5 – 5K

Resistance Value

Dimensions



8mm Semi-Fixed Carbon Potentiometer

Electrical & Mechanical Characteristics

1	Resistance Range	100 ohm ~ 2 M ohm
2	Resistance Tolerance	+/- 20%
3	Resistance Taper	B Curve (Linear Change with 45°)
4	Rated Power	0.1 Wattage
5	Max. Operating Voltage	100 V
6	Rotating angle	250° ± 20 %
7	Rotating Torque	40 - 250 g - cm.
8	Rotating Strength	Min. 1 Kg - cm.
9	Rotating Life	±10% Resistance change max. after 50 rotations (return)
10	Temperature Characteristic	+5% and -20% resistance change max. after 5 hours at 70°C
11	Load Characteristic	±5% resistance change after using 3 hours at a normal temperature.
12	Moisture Characteristic	±15% resistance change after 5hours within 95% humidity at 40°C.