



## 6mm Semi-Fixed Carbon Potentiometer

**T655MCL T.B.**

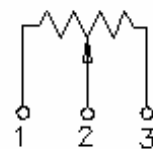
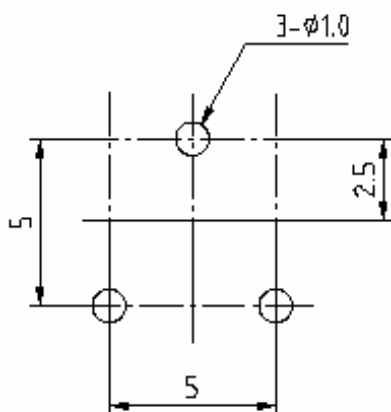
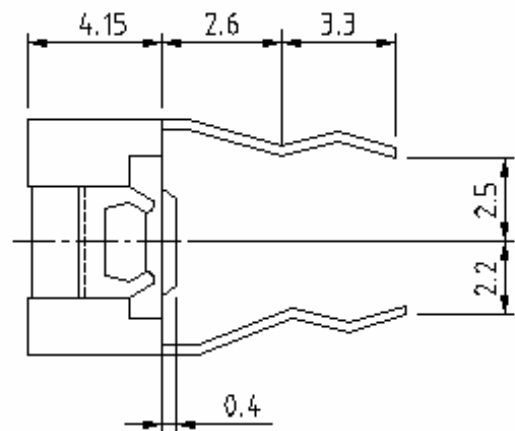
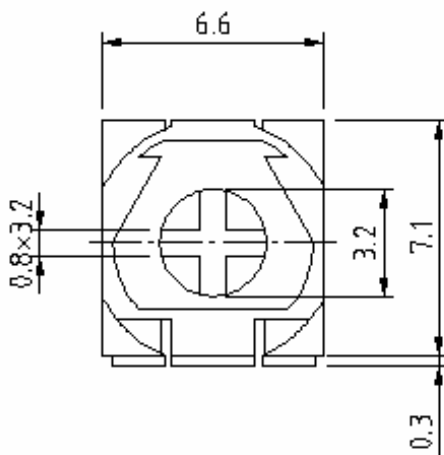


**Part Number**

**T655MCL - 50K (T.B.)**

Resistance Value      Carbon

### Dimensions



# 6mm Carbon Semi-Fixed Potentiometer

**T625MCR T.B.**

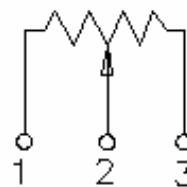
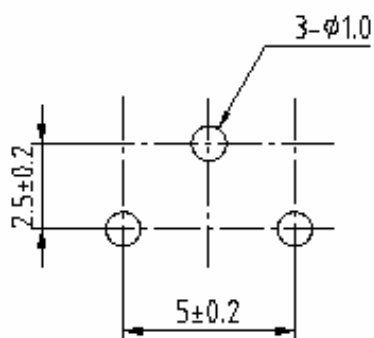
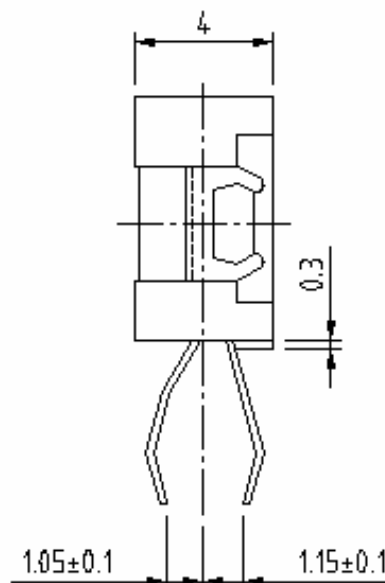
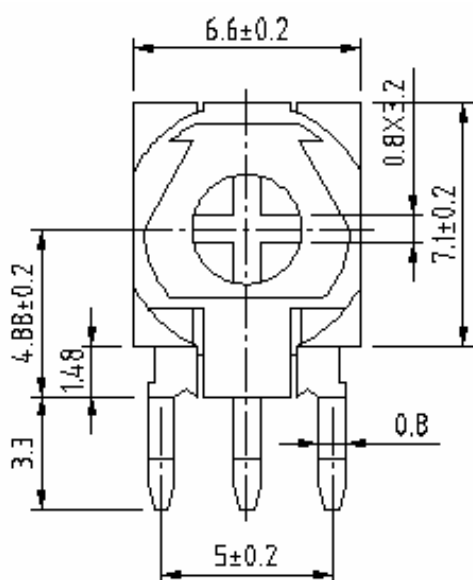
**Part Number**

**T625MCR - 50K (T.B.)**

Resistance Value      Carbon



## Dimensions



# 6mm Carbon Semi-Fixed Potentiometer

## Electrical Characteristics

1. Resistance Value	100Ω~ 1 MΩ
2. Tolerance Rating	±30%
3. Resistance Taper	B Curve (Linear)
4. Max. Power Rating	0.1W ( at 50°C )
5. Max. Working Voltage	50 V DC(>500kΩ 25V DC)
6. Contact Resistance Variation	6%Max.
7. Residual Resistance	Less than 1% of nominal resistance value $R \leq 1K\Omega \rightarrow 30\Omega$ Max. $R > 1K\Omega \rightarrow 3\%$ Max.

## Mechanical Characteristics

1. Rotation Angle	210±20 degree
2. Rotation Torque	20 ~ 250 gf-cm
3. Stopper Strength	Front    ⇨ 750 gf-cm Rear     ⇨ 350 gf-cm

## Reliability Specification

1. Operation life	20±2 Cycles Resistance Value±15%
2. Temperature Characteristics	+5% to -20% @ 70°C 5 Hr
3. Humidity Characteristics	+20% to -5% @ 40°C 90 ~ 95%RH without load
4. Resistance To Soldering Heat	±3% @ pass 300°C 3sec.  @Without any poor contact

**5. Working Temperature**

**- 10°C ~ 70°C**

**6. Temperature Cycles**

**±5% @ without load : -10°C ~ 70°C 30min/**

**5 cycles 2 hours after.**