

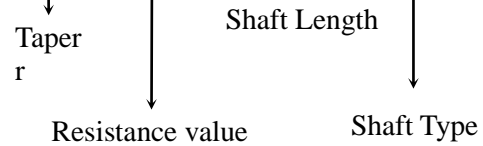


16mm Metal Shaft Rotary Potentiometer (Ceramic)

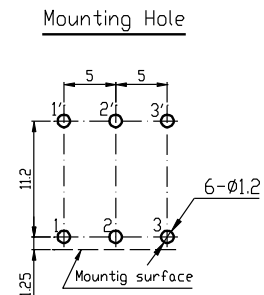
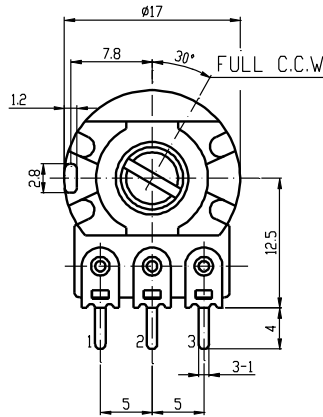
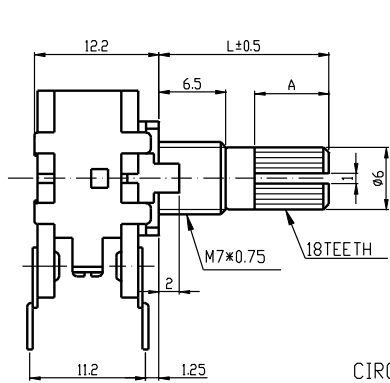


Part Number

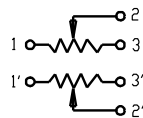
R16TM1 – B 50K, L- 20 KC



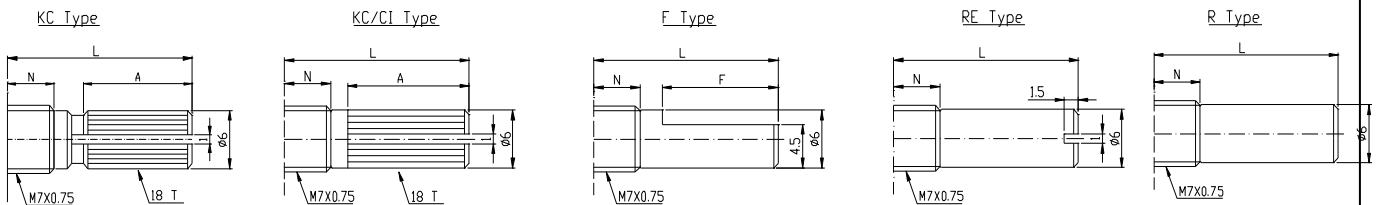
Dimensions



CIRCUIT



Shaft Type



		N=6.5mm									
Shaft Type	L	10	15	17	20	25	30	35	40		
KC	A	2.2	6	8	10	12	12	12	12		
	M	0.5	1	1	2	2	4	4	4		
KC/CI	A	1.5	6.5	8.5	11.5	16.5	19				
F	F	2.5	7	7	12	12	12	12	12		
R,RE	L	10	15	17	20	25	30	35	40		

		N=5mm										
Shaft Type	L	10	12	15	17	20	25	30	35	40		
KC	A	3.2		6	8	12	12	12	12	12		
	M	0.5		1	1	2	2	4	4	4		
KC/CI	A	1.5	5	8	10	13						
F	F	4	4	7	7	12	12	12	12	12		
R,RE	L	10		15	17	20	25	30	35	40		

**16mm Metal Shaft Rotary Potentiometer (Ceramic)****General**

Operating temperature	-50 °C ~ +125 °C
Manual soldering	300 °C Max 3sec

Electrical Characteristics

Total resistance	100Ω ~ 1MΩ
Resistance tolerance	±20%(1MΩ : ±30%)
Resistance taper	A B C D W
Sliding noise	150 mV max.
Residual resistance	Term1~2 : Less than 20Ω Term2~3 : Less than 20Ω ; $R \geq 1K\Omega < 1\%$
Insulation resistance	More than 100MΩ at DC 500V
Rated power(W)	3W/40°C 0W 125°C
Max. Operating voltage	500V AC
Withstand voltage	1 Minute at AC 1000 V
Gang error	-40dB ~ 0dB ≤ 4dB

Mechanical Characteristics

Total rotational angle	300° ± 5°
Rotational torque	30 ~ 250 gf.cm
Rotational stopper strength	8Kgf.cm Max
Shaft push-pull strength	6Kgf.cm Max
Rotational life	15,000 Cycles.