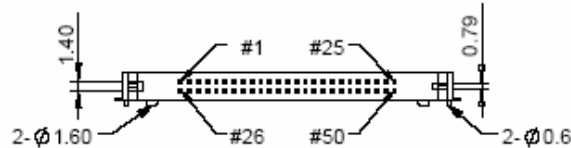
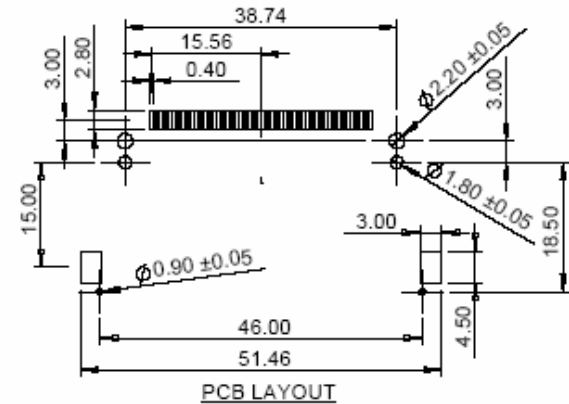
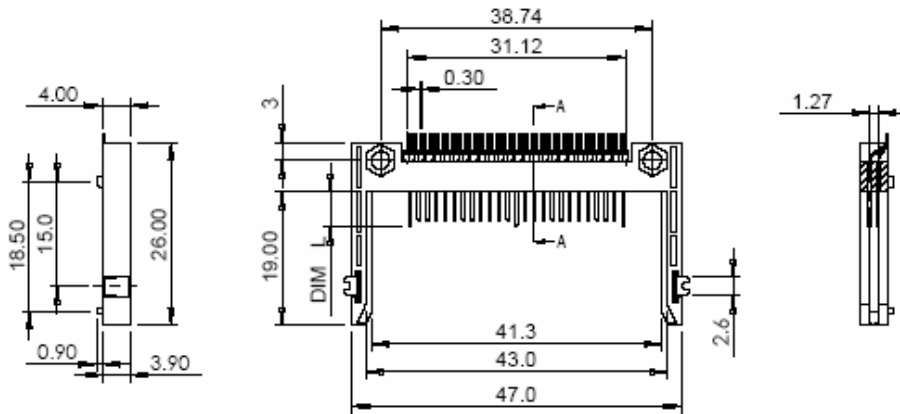
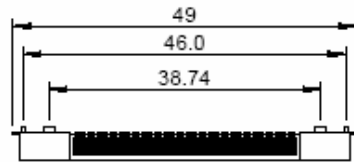


更改 REV	變更內容 MODIFICATION
A	ECN00061
B	ECN00070
C	ECN00194
D	ECN00247
E	ECR00760
F	ECR00795

NOTES :
 1. MATERIAL :
 INSULATOR : HIGH TEMPERATURE THERMOPLASTIC,
 UL 94V-0
 CONTACT : COPPER ALLOY
 2. PART NO : CFHD-XX-0000

COLOR :
 0 BLACK
 9 IVORY

PLATING :
 F CONTACT : GOLD FLASH OVER 50μ"MIN. NICKEL
 SOLDER TAIL : 100μ"MIN. Sn OVER NICKEL
 B CONTACT : 10μ"MIN. Au OVER 50μ"MIN. NICKEL
 SOLDER TAIL : 100μ"MIN. Sn OVER NICKEL



PIN NUMBER	DIM L ± 0.10
25,26	3.50
ALL OTHER PINS	4.25
1,13,38,50	5.00

GENERAL TOLERANCE		Memory Card Connector	
X ± 0.50	X' ± 5°	CF CONNECTOR LOW PROFILE	
X ± 0.30	X' ± 2°		
.XX ± 0.20	.XX' ± 1°		
	.XXX' ± 0.5°		
單位(UNIT)	料號(PART NO.)	圖號(DWG NO.)	
mm	CFHD-XX-0000	CFHD-XX-0000-F	
審核(APPROVAL)	校對(CHECKED)	製圖(DRAWN)	比例 SCALE 1:1 張數 SHEET 1/1
			更改 REV F