

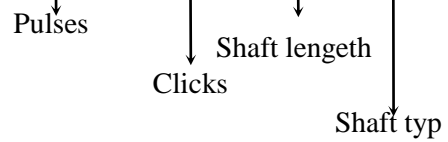


**16mm Rotary type Encoders**

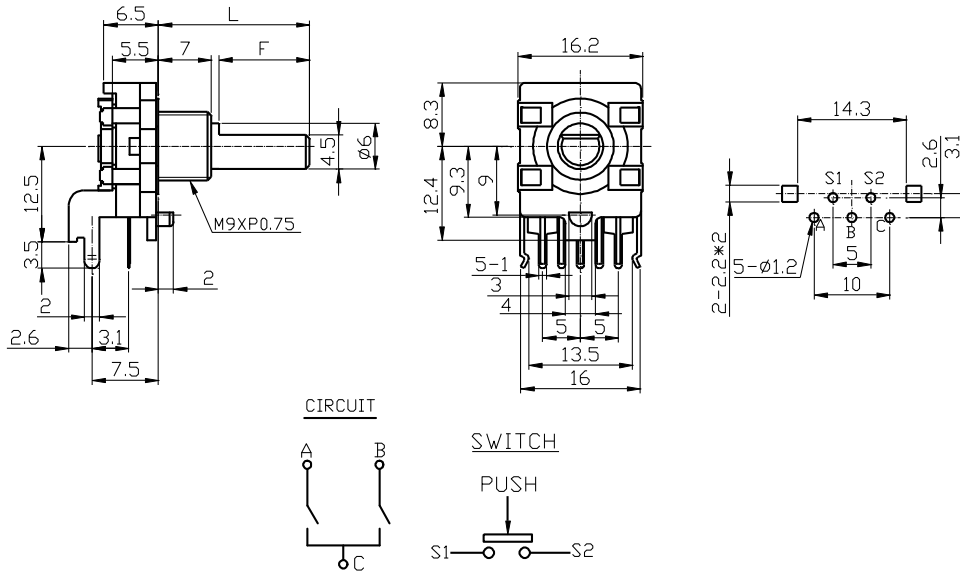


**Part Number**

**ED1611S – 24P – 24C – 25 F**

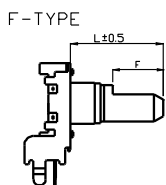


**Dimensions**

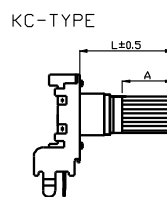


Available Clicks	0 clicks		12 clicks	24 clicks
Available Pulses	12 pulses	24 pulses	12 pulses	24 pulses

**Shaft Type**



L	15	20	25	30
F	7	12	12	12



L	15	20	25	30
A	7	10	12	12



## 16mm Rotary type Encoders

### 1. Electrical Characteristics

Power Rating	DC 5V 0.5mA
Insulation Resistance	More than 10 MΩ at DC 50V 1 Minute
Withstand Voltage	1 Minute at AC 50V
Sliding Noise	3mS(Test conditions:360°/S) Using the C/R filter circuit is Recommended
Resolution	• 12    • 24            Pulses/360°foreachphas
Phase Difference	$\Delta T=0.25\pm 0.17T$
Output Signal and Rotational Direction	<div style="display: flex; justify-content: space-around; align-items: flex-start;"> <div style="text-align: center;"> <p>A Signal</p> <p>C.W direction</p> </div> <div style="text-align: center;"> <p>B Signal</p> </div> <div style="text-align: center;"> </div> </div>
Working Temperature	- 10 °C ~ 70 °C
Storage Temperature	- 40 °C ~ 85°C

### 2. Mechanical Characteristics

Total Rotational Angle	360 °
Rotational Torque	30~ 200gf.cm Shaft Rota table at-10 °C ~ 5 °C
Shaft Push-Pull Strength	• With switch 5.1 Kgf.cm            • on without switch 10 Kgf.cm
Number and Position Detent	• 12 detents (Step angle:30°±3°) • 24 detents (Step angle:15°±3°)
Rotational Life	30,000 Cycles Min. at a speed of 600cycles/H
Resistance To soldering Heat	Manual Soldering: Less than 300°C and quicker than 3 seconds.

### 3. Push-On Switch Specifications

Switch Circuit	Single Pole and Single Throw(push on)
Switch Travel (mm)	$0.5^{+0.4}_{-0.3}$ mm
Switch Operating Force	360±150 gf.cm
Switch Rating Power	DC 5V 10mA (minimum ratings :DC 5V 1mA)
Switch Contact Resistance	First period : 100mΩ 200mΩafter the end of useful life is reached
Switch Push Life	20,000 Cycles.Min. The emcoder shall be rotated to 20,000 cycles at a speed of 600 cycles /H without electrical load.The measurement is done at 5000 cycles(shaft push load:1kgf.)