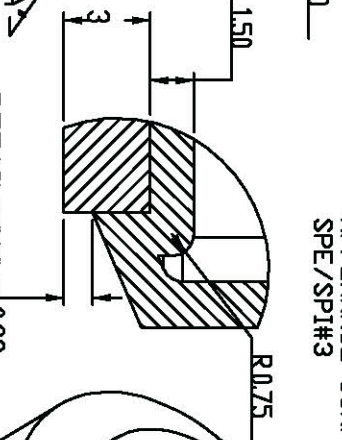
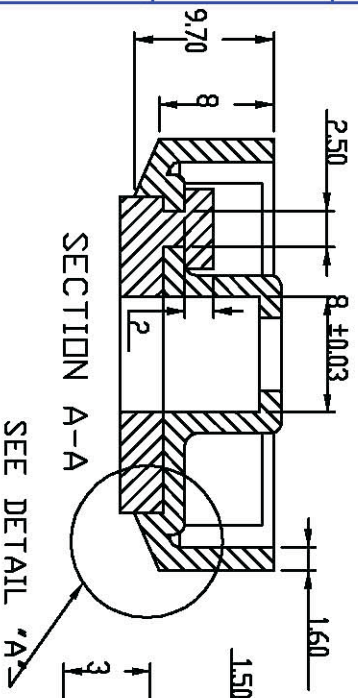
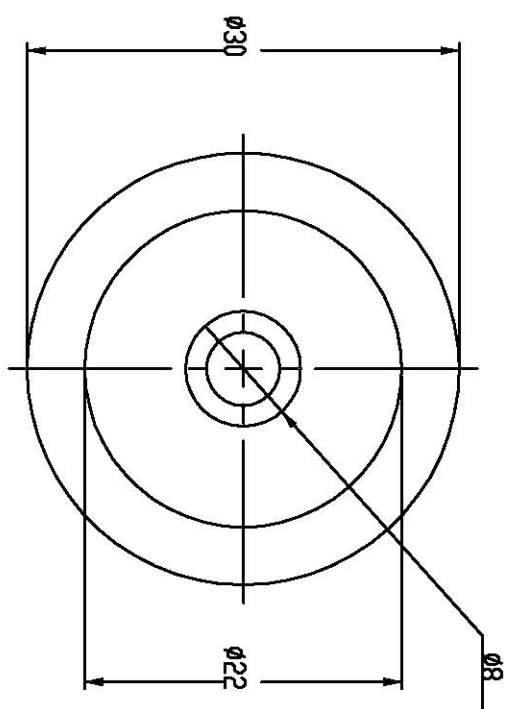
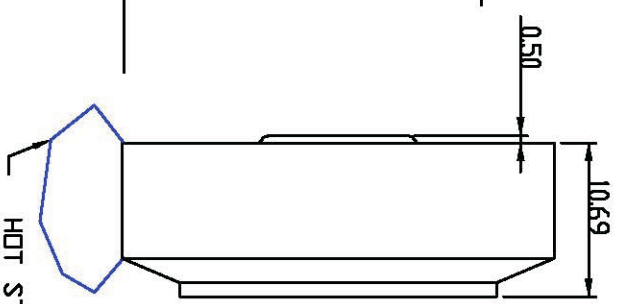
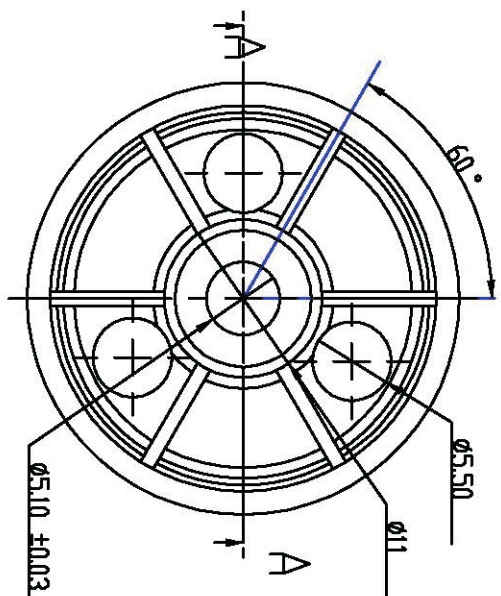


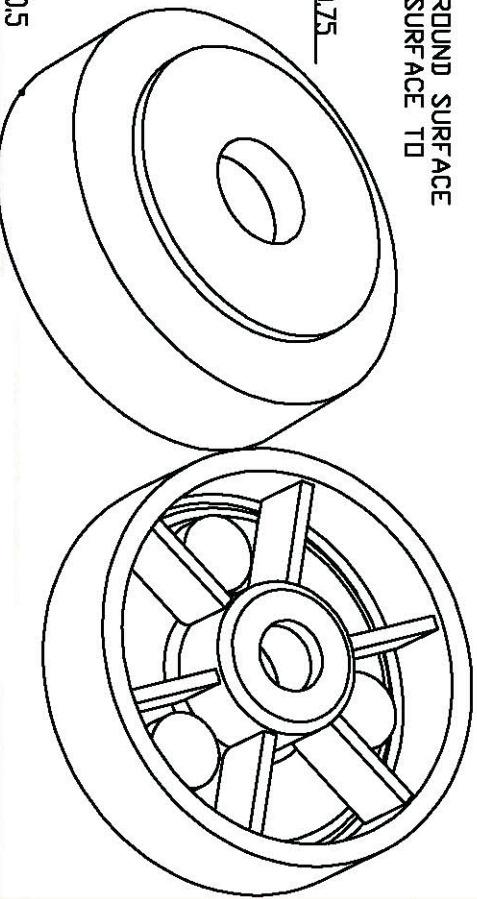
A B C D E F G H I J

P/N	1ST SHOT MATERIAL	SOT COLOR	2ND SHOT MATERIAL	2ND SOT COLOR	STAMP COLOR
F30-CR	ABS	BLACK	T.P.R	BLACK	
F30-G	ABS	BLACK	T.P.R	BLACK	

SILVER
GOLDEN



DETAIL A-A
ALL DRAFT ANGLE : 0.5



DATE 06/12/00
DRAWN J.W.
CHECKED
DATE 06/12/00

DATE 06/12/00
TITLE 2-SHOT FOOT
SCALE 1:1
UNIT MM

SCALE 1:1
UNIT MM
PART NO. F30
PROJ.

REV.	DATE	DESCRIPTION	OF	REVISION	APPR. BY	APPD.
A	06/12/00	RELEASE FOR PRODUCTION.				

DATE 06/12/00
DATE 06/12/00
DATE 06/12/00

DATE 06/12/00
DATE 06/12/00
DATE 06/12/00

DATE 06/12/00
DATE 06/12/00
DATE 06/12/00

DATE 06/12/00
DATE 06/12/00
DATE 06/12/00