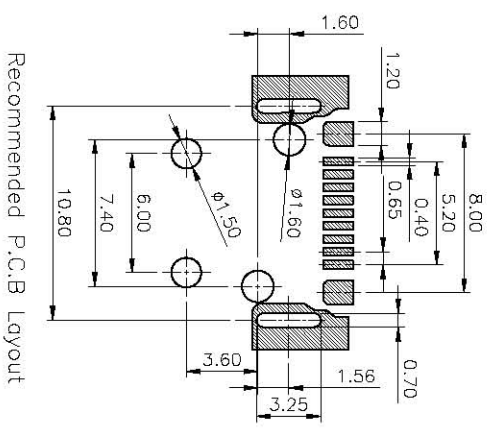
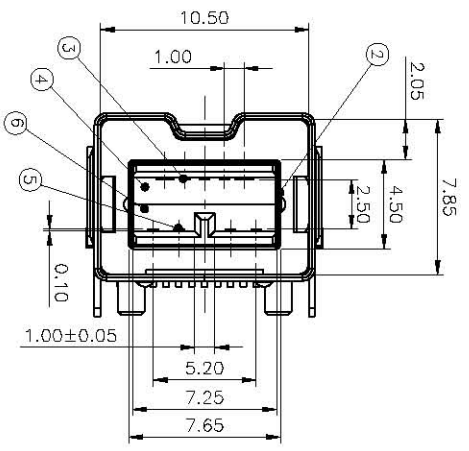
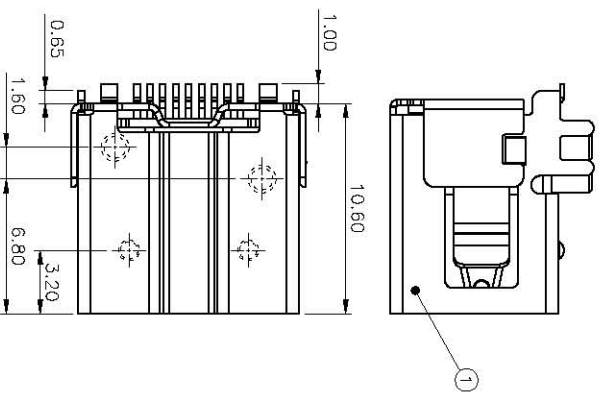
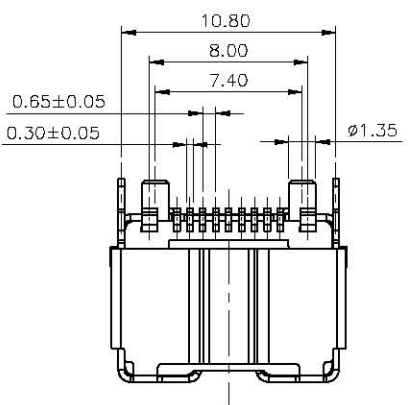


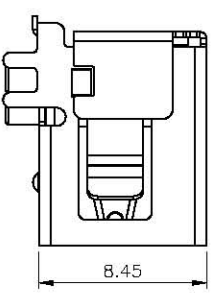
REV	BCN.NO:	B Y	DATE
A/0		王新业	2010.08.12



Recommended P.C.B Layout

Specifications:

1. Current Rating: 0.5A at 40V AC.
2. Withstanding Voltage: 100V AC for one minute.
3. Insulation Resistance: 100MΩ Min.
4. Contact Resistance: 50mΩ Max.
5. Mating Force: 3.98kgf Max.
6. Unmating Force: 1.02kgf Min.



NO	DESCRIPTION	MATERIAL	COLOR	REMARK
6	4Pin Bowing	LCP	BLACK	UL 94V-0
5	4Pin Terminal	C2680		GOLD
4	3Pin Bowing	LCP	BLACK	UL 94V-0
3	3Pin Terminal	C2680		GOLD
2	Inside Shell	C2680		NICKEL PLATED
1	Over Shell	C2680		NICKEL PLATED

1394 9PIN IE-09 M S-X X-X 400
 M:SMT S:母头 K:黑色 W:白胶
 N:外壳镀镍 G:外壳镀金
 S:镀半金1u 9:镀半金30u
 流水号

DR:	王新业	TITLE:	1394 SMT	UNIT:	mm
CHK:		DWG NO:	IB-09MS-KS-N400	SCALE:	1 : 1
APP:		DR DATE:	2010.11.16	TOLERANCE	ANG TOLERANCE
MATERIAL:	SEE NOTES	REV:	A/0	X ±0.30 XX ±0.20 XXX ±0.10	±1°

