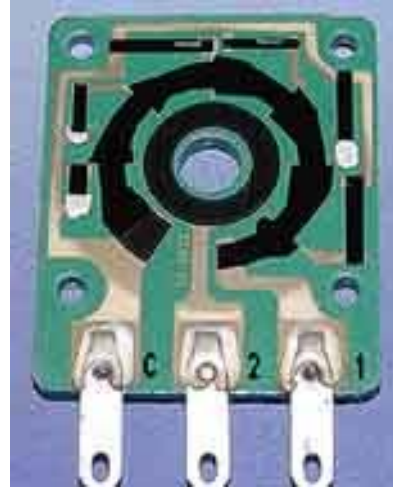
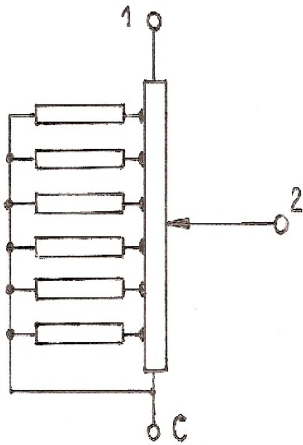


Important points in using TKD Potentiometers with Ladder type of Circuits

The features of manufacturing Ladder type are that it is possible to realize improvement of characteristics especially by making every point setting with maximum attenuation.

Circuit 1.

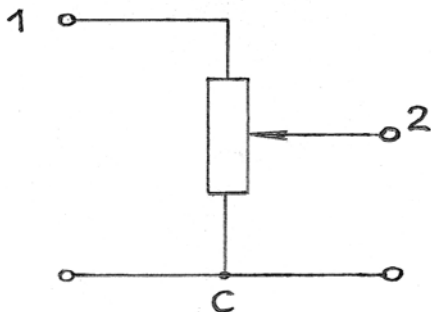


In case of the Ladder circuit, they are supposed only to be used for dividers or volume controls, but not for variable resistors.

Please take care not to use for setting resistance value, as, if so, we are afraid that a trouble may happen.

When you use this as for a divider and take out input in between 1-C, and output in between 2-C, you can find out the characteristics of voltage output ratio. However you cannot use this as far for a variable resistor.

Circuit 2.



Circuit 3. this is not allowed

