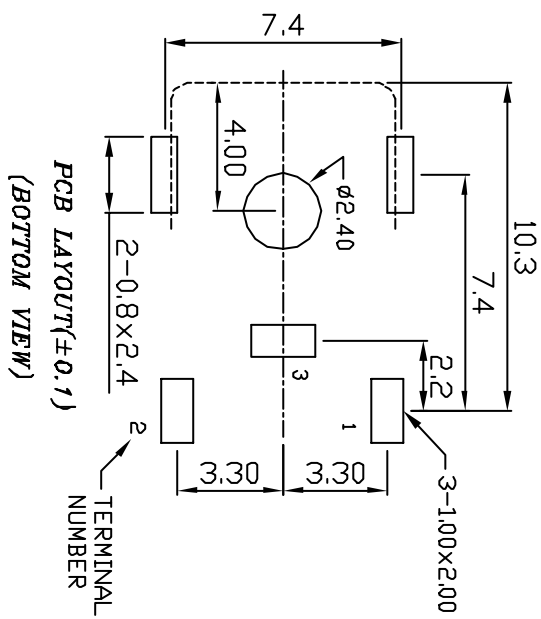
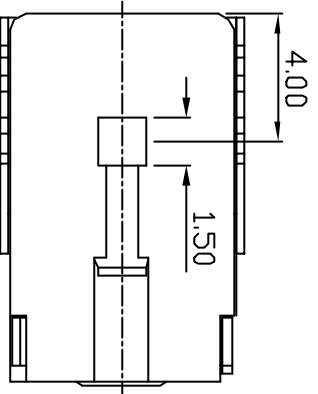
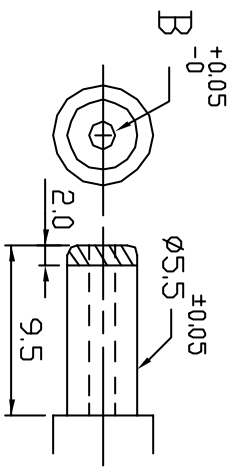
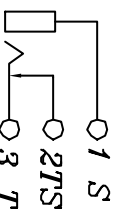


PLUG



P/N	Dimension	
	A	B
LD-0212A-2.0	$\phi 2.0$	$\phi 2.05$
LD-0212A-2.5	$\phi 2.5$	$\phi 2.55$



REVISION

100/00/00

NO	PART NAME	Q'TY	MATERIAL	PLATED	COLOR
6	HOUSING	1	PBT		BLACK
5	SHIELD	1	BRASS		
4	CENTER PIN	1	BRASS		NICKEL
3	TIP	1	COPPER ALLOY		
2	TIP SHUNT	1	BRASS		
1	SLEEVE	1	BRASS		TIN



LIH SHENG PRECISION INDUSTRIAL CO., LTD.

PART NAME **DC JACK**

PART NO. **LD-0212A-**

TOLERANCE	SCALE: 4/1	UNIT	DATE	DRAW	CHECK	APPROVE
X. ±0.5		M/M	12/26/02	VEN-CHENG		
X.X ±0.3						
X.XX ±0.15						