

4	HOUSING	1	PA66		BLACK
3	TERMINAL 3	1	COPPER ALLOY	TIN	
2	TERMINAL 2	1	BRASS	TIN	
1	TERMINAL 1	1	BRASS	TIN	
	PART NAME	QTY	MATERIAL	PLATED	REMARK

LH SHENG PRECISION INDUSTRIAL CO., LTD.

TOLERANCE		Material		PART NAME		DC JACK	
X.	±0.5	Thickness		PART NO.	LD-0215A-1.6	REV.	B
X.X	±0.3	Disposal		DATE	06/SEP/06	CHECK	APPROVE
X.XX	±0.15	UNIT	mm	SCALE	4:1	Chris	Ken
				DATE		Chris	Ken
				DRAW		Chris	Ken
				SCALE	4:1	Chris	Ken
				UNIT	mm	Chris	Ken
				SCALE	4:1	Chris	Ken
				UNIT	mm	Chris	Ken

SPECIFICATIONS 規格書

CUSTOMER MODEL NO. / TITLE DC POWER JACK	SPECIFICATION NO.: LD- 0215AH5A-1.6	PAGE: 1 OF 4 DATE: 20-JUL-2007
---	--	-----------------------------------

1). SCOPE 適用範圍 .

This specification covers " DC POWER JACK " DC 插座

2). CHARACTERISTICS 性能 .

Standard atmospheric specified, measurements shall be made at temperature , humidity and air pressure within the following limit :	
Ambient temperature	: 5°C to 35°C
Relative humidity	: 45 % to 85 %
Air pressure	: 85 Kpa to 106 Kpa
標準狀態：沒有特別指定時,測試是在常溫、常濕、常壓下進行.	
常 溫	: 溫度 5°C ~ 35°C
常 濕	: 濕度 45 % ~ 85 %
常 壓	: 氣壓 85Kpa ~ 106Kpa
Operating temperature range	: -20°C to 60°C
使用溫度範圍	: -20°C ~ 60°C
Storage temperature range	: -25°C to 70°C
保存溫度範圍	: -25°C ~ 70°C

3). ELECTRICAL CHARACTERISTICS 電氣性能 .

Item 項目	Test Conditions 條件	Specification 規格
<3a>.Rated Voltage/ Rated Current 核定電壓 / 電流		DC 16V 5A
<3b>.Insulation Resistance 絕緣阻抗	A voltage of 500V DC shall be applied to the terminals. After which measurement shall be made. DC 500V	100M Ω or more ≥ 100M Ω

LIH SHENG PRECISION IND. CO., LTD.				立生精密工業股份有限公司							
				A		C		C		W	
				P	Cooper	H	Ken	H	Chris	R	Vicky
				V		K		K		T	
REV	NAME	DATE	REMARK	D		D		D		N	

版本：A

SPECIFICATIONS 規格書

CUSTOMER MODEL NO. / TITLE DC POWER JACK	SPECIFICATION NO.: LD- 0215AH5A-1.6	PAGE : 2 OF 4 DATE : 20-JUL-2007
---	--	-------------------------------------

<p><3c>.Contact Resistance 接觸阻抗</p>	<p>Measurement shall be made at 1 K Hz with 100 mA or less 在1 K Hz,100 mA以下電流做測定 (With the test plug as show in item 6) (測試用插棒參考第6項)</p> <p><1>Initial before any testing 初始, 在做任何測試前</p> <p><a>Pin to contact or (N.C.). 端子與分路間, (T-TS,) (常閉)</p> <p>Plug shield to socket or (N.O.). 插棒(t, s,)插入後與插座(T,S,)間 (常開)</p> <p><2>After life test with mating plug 在以對應插棒做壽命試驗後</p> <p><a>Pin to contact or (N.C.). 端子與分路間(T-TS,) (常閉)</p> <p>Plug shield to socket or (N.O.). 插棒(t, s,)插入後與插座(T,S,)間 (常開)</p>	<p>30mΩ or Less ≤ 30mΩ</p> <p>50mΩ or Less ≤ 50mΩ</p> <p>60mΩ or Less ≤ 60mΩ</p> <p>100mΩ or Less ≤ 100mΩ</p>
<p><3d>.Dielectric Strength 耐電壓</p>	<p>Withstand 0.5 mA (Trip current) 500V AC (50 or 60 Hz) between any open terminal for 1 minute. 可承受 0.5 mA (感度電流), AC 500V (50 or 60 Hz) . 1分鐘, 在任何 open 端子之間. (Open terminal: Between each terminal which should not make contact , before plug insert to socket T-S, after plug insert to socket T-TS,) (Open 端子: 指相互未接觸的端子,如未插入 plug 時之T-S, 插入plug後之T-TS,)</p>	<p>Without distinct damage 無異常</p>

LIH SHENG PRECISION IND. CO. , LTD.				立生精密工業股份有限公司							
				A	Cooper	C	Ken	C	Chris	W	Vicky
				P		H		H		R	
				V		K		K		T	
REV	NAME	DATE	REMARK	D		D		D		N	

SPECIFICATIONS 規格書

CUSTOMER MODEL NO. / TITLE DC POWER JACK	SPECIFICATION NO.: LD- 0215AH5A-1.6	PAGE : 3 OF 4 DATE : 20-JUL-2007
---	--	-------------------------------------

4). MECHANICAL CHARACTERISTICS 機械性能

<4a>.

Item 項目	Conditions 條件	Insertion force 插入力	Withdrawal force 拔出力
Insertion force and Withdrawal force 插入力 / 拔出力	(With the test plug as show in item 6) (測試用插棒規格參考第 6 項) Initial 初始	0.3kgf ~ 3.0kgf	0.3kgf ~ 3.0kgf
	After life test 壽命試驗後	0.1kgf ~ 2kgf	0.1kgf ~ 2kgf

<4b>.Terminal strength 端子強度

Terminals must withstand a 500g minimum pull for 10 seconds before movement or break from housing occurs , but deformation of terminal is authorized .

各端子部須測試荷重500g, 10秒, 端子不可有脫落或塑膠本體不可有破裂等情況, 但端子部彎曲, 變形可接受 .

5). ENDURANCE CHARACTERISTICS 耐久性能

<5a>.Life test 壽命試驗

The life test shall consist of 5,000 cycles of insertion and withdrawal with test plug(Show in item 6), at a rate of 20 to 30 cycles per minute under no load .

壽命試驗在無負荷狀態下 20 ~ 30 回 / 1 分鐘的插入及拔出, 做 5,000 回, 測試用插棒 (參考第 6 項) .

<5b>.Soldering test 焊錫試驗

<5b-1>.Solderability 焊錫性

The terminal of JACK tested shall be dipped into soldering flux or equivalent for 5 ~ 10 seconds and then immersed into molten solder Sn at 245 ± 5°C for 3 ± 0.5 seconds , the coverage should more than 95% .

插座端子部, 浸助焊劑 5 ~ 10 秒, 再浸Sn 溶液—溫度245 ± 5°C . 時間 3 ± 0.5 秒, 端子部上錫覆蓋面積須達 95% 以上 .

LIH SHENG PRECISION IND. CO., LTD.				立生精密工業股份有限公司							
				A	Cooper	C	Ken	C	Chris	W	Vicky
				P		H		H		R	
				V		K		K		T	
REV	NAME	DATE	REMARK	D		D		D		N	

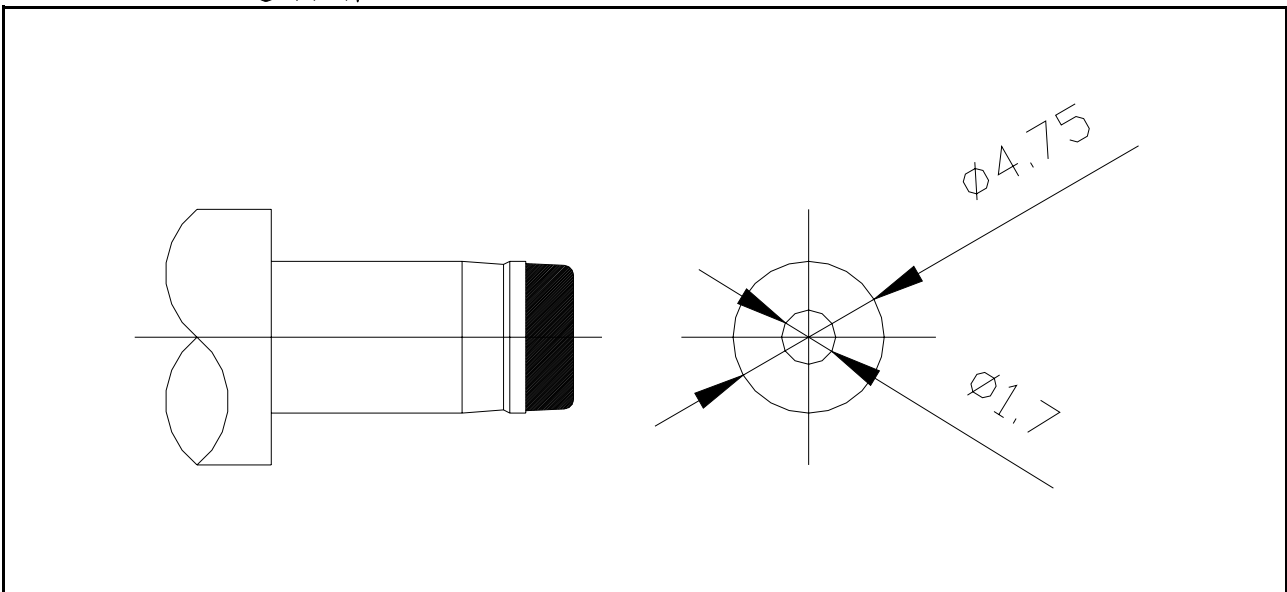
版本 : A

SPECIFICATIONS 規格書

CUSTOMER MODEL NO. / TITLE DC POWER JACK	SPECIFICATION NO.: LD- 0215AH5A-1.6	PAGE : 4 OF 4 DATE : 20-JUL-2007
--	---	-------------------------------------

<5b-2>.Soldering heat 上錫耐熱性
 The terminal for a printed circuit board .
 Temperature of solder : $260 \pm 5^{\circ}\text{C}$ Dip time : 5 ± 1 seconds .
 端子部與銅箔面上錫溫度與時間 .
 溫 度 : $260 \pm 5^{\circ}\text{C}$ 時 間 : 5 ± 1 秒 .

6). MATED PLUG 適用插棒



LIH SHENG PRECISION IND. CO., LTD.				立 生 精 密 工 業 股 份 有 限 公 司							
				A	Cooper	C	Ken	C	Chris	W	Vicky
				P		H		H		R	
				V		K		K		T	
REV	NAME	DATE	REMARK	D		D		D		N	

版本：A