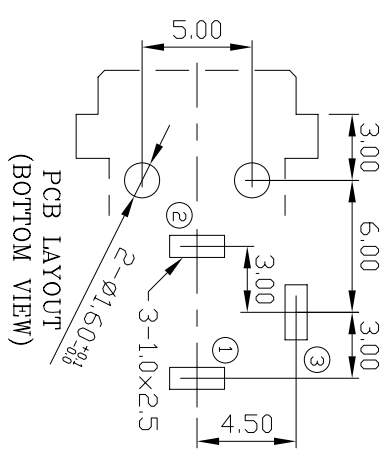
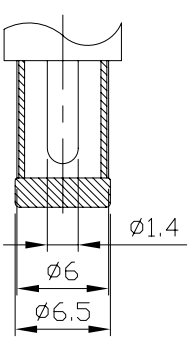


4	HOUSING	1	PBT		BLACK
3	TERMINAL 3	1	BRASS	TIN	
2	TERMINAL 2	1	P.B.S	TIN	
1	TERMINAL 1	1	BRASS	TIN	
	PART NAME	Q'ty	MATERIAL	PLATED	REMARK



LH SHENG PRECISION INDUSTRIAL CO., LTD.

TOLERANCE	Material	PART NAME	DC JACK
X. ±0.5	Thickness	PART NO.	LD-0224-1.45
X.X ±0.3	Disposal	DATE	26/JUL/07'
X.XX ±0.15	UNIT	DRAW	CHECK
	mm	SCALE	3:1
		Chris	Ken
			APPROVED
			Cooper