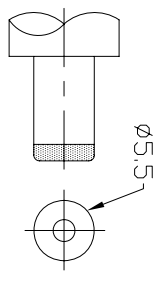
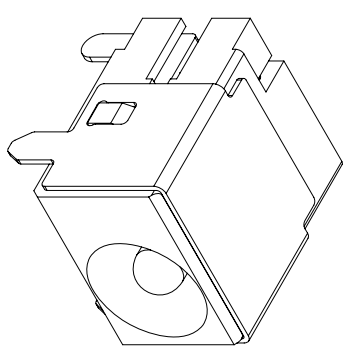
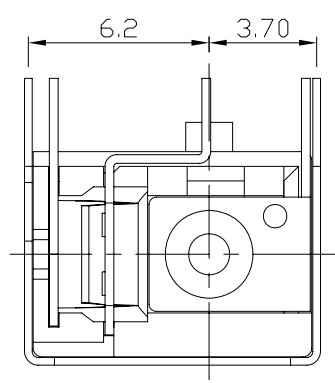
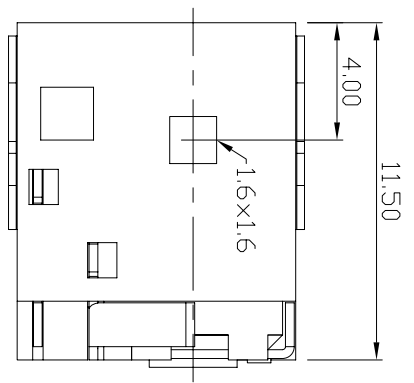
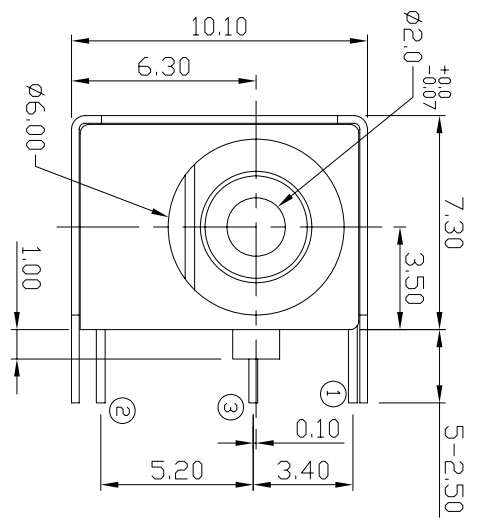
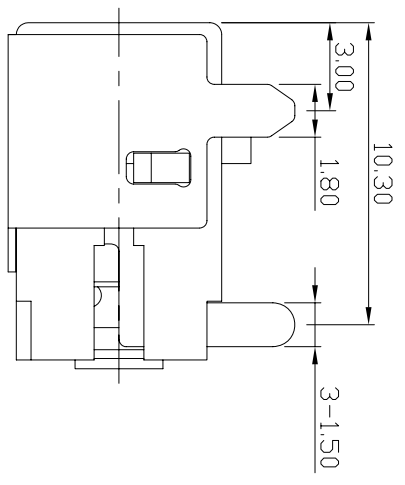


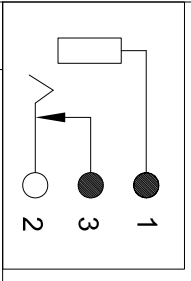
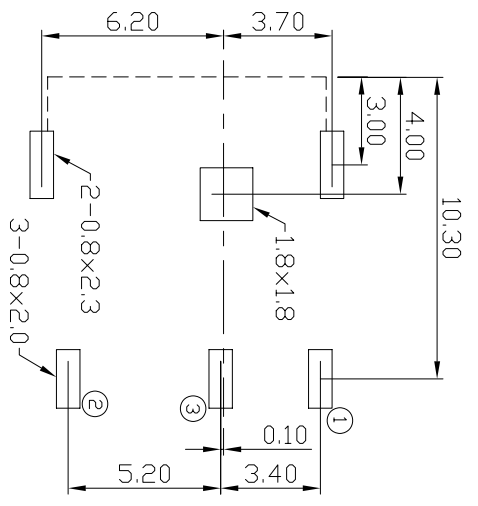
HISTORY X COUNT	DATE	ECN NO.	REV.	REVISION	SIGN.
△ x1	18/AM/07		B	增加線路圖	Chrs
△ x1	23/OCT/09	N200910005	C	變更 SHIELD 電鍍	Chrs




DC MATE PLUG



PCB LAYOUT(±0.1)
(BOTTOM VIEW)

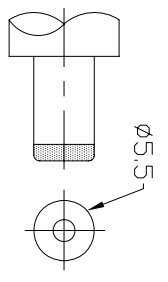
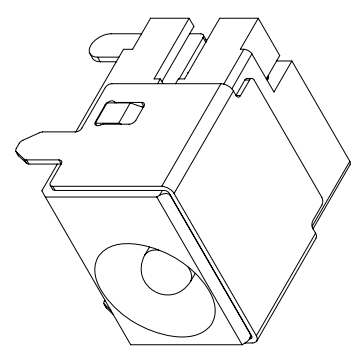
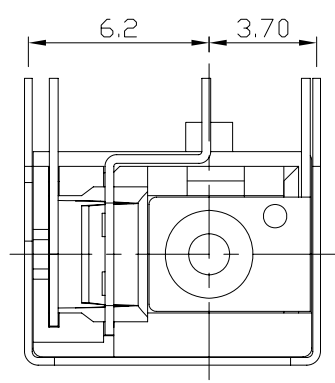
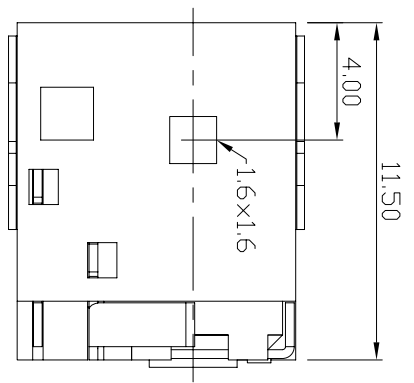
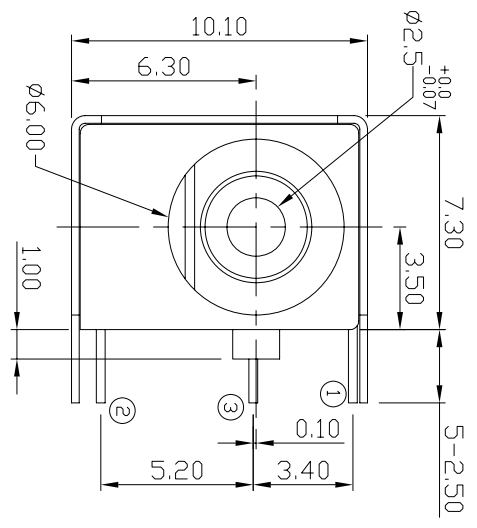


NO	PART NAME	QTY	MATERIAL	PLATED	REMARK
6	HDSING	1	PBT		BLACK
5	SHIELD	1	BRASS	NICKEL △	
4	TERMINAL 3	1	BRASS	TIN	
3	TERMINAL 2	1	COOPER ALLOY	TIN	
2	TERMINAL 1	1	BRASS	TIN	
1	CENTRE PIN	1	COOPER	NICKEL	

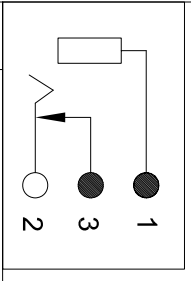
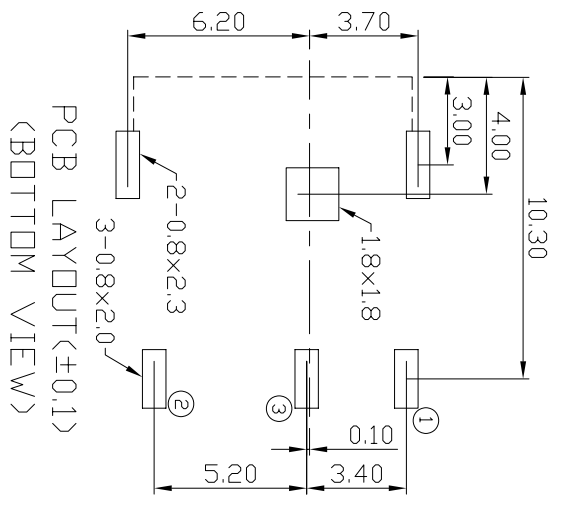
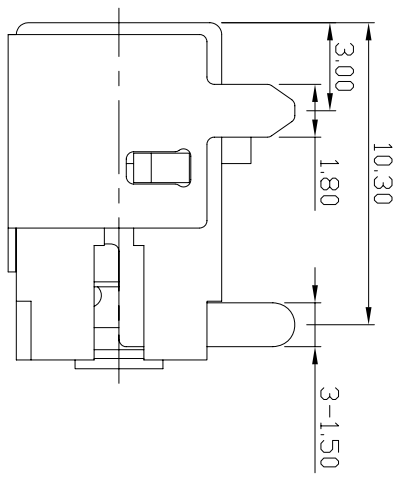


LIH SHENG PRECISION INDUSTRIAL CO., LTD.


TOLERANCE	Material	PART NAME	DC JACK
X ±0.5	Thickness	PART NO.	LD-0233M-2.0
X.X ±0.3	Disposal	DATE	03/MAY/07
X.XX ±0.15	UNIT	DRAW	CHECK
	mm	SCALE	4:1
		Chris	Ken
			APPROVED
			Ken



DC MATE PLUG



6	HOUSING	1	PBT	NICKEL	BLACK
5	SHIELD	1	BRASS	TIN	
4	TERMINAL 3	1	BRASS	TIN	
3	TERMINAL 2	1	COOPER ALLOY	TIN	
2	TERMINAL 1	1	BRASS	TIN	
1	CENTRE PIN	1	COOPER	NICKEL	
NO	PART NAME	QTY	MATERIAL	PLATED	REMARK



LIH SHENG PRECISION INDUSTRIAL CO., LTD.

TOLERANCE	Material	PART NAME	DC JACK
X ±0.5	Thickmess	PART NO.	LD-0233M-2.5
X.X ±0.3	Disposal	DATE	09/JUL/07
X.XX ±0.15	UNIT	DRAW	CHECK
	mm	SCALE	4:1
		Chrs	Ken
		Chrs	Ken
		Chrs	Ken