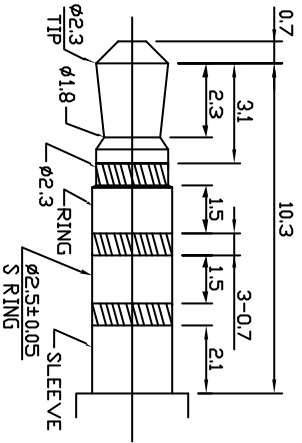
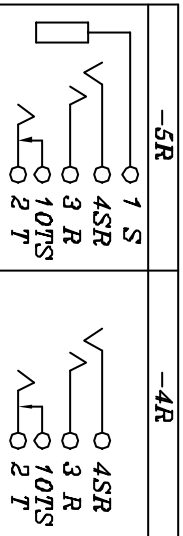


4P PLUG



10	TIP SHUNT	1	BRASS	SILVER		
5	HOUSING	1	PA6T		BLACK	
4	SLEEVE TERMINAL	1	P.B.S	SILVER		REVISION 1$K00/00/00'$
3	RING	1	P.B.S	SILVER		
2	TIP	1	P.B.S	SILVER		
1	SLEEVE	1	P.B.S	SILVER		
NO	PART NAME	Q'TY	MATERIAL	PLATED	COLOR	



LH SHENG PRECISION
INDUSTRIAL CO., LTD.

PART NAME **EARRPHONE JACK**

PART NO. **LJE0269-5R**

(SMT)

TOLERANCE	X	± 0.5
	X.X	± 0.3
	X.XX	± 0.15
SCALE: 5/1	UNIT	M/M
	DATE	01/06/03'
	DRAW	VEN-CHENG
	CHECK	
	APPROVE	