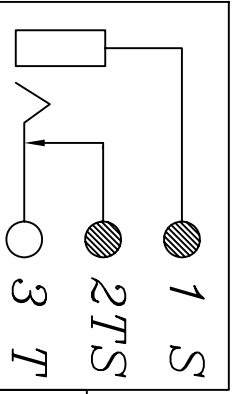
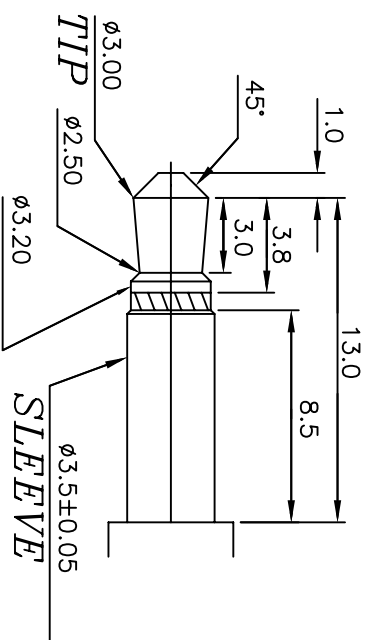


PLUG

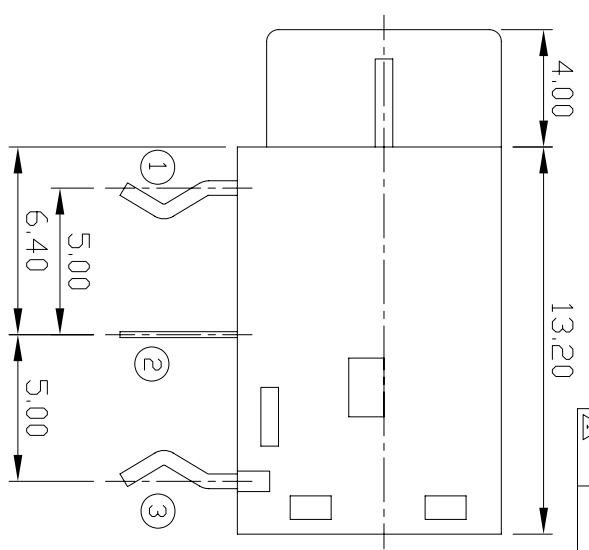
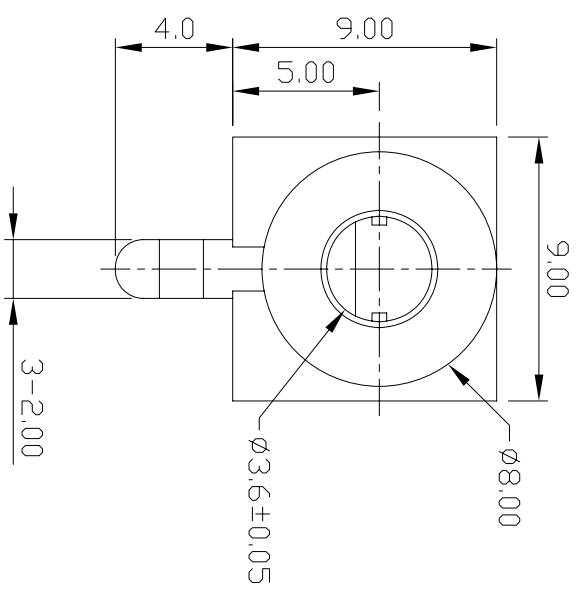


P.C.B LAYOUT(±0.1)
(BOTTOM VIEW)

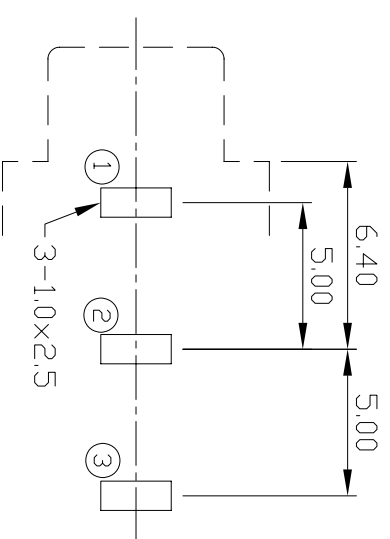
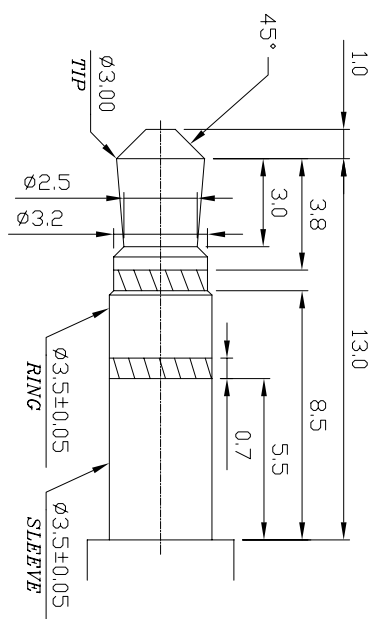


LIH SHENG PRECISION INDUSTRIAL CO., LTD.

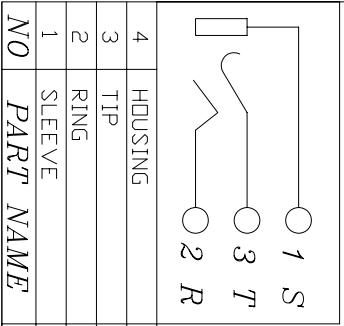
5									
4	HOUSING	1	PBT			REVISION	BLACK		
3	TIP	1	P.B.S			3(05/20/02)		1 S	
2	TIP SHUNT	1	BRASS	SILVER				2TS	
1	SLEEVE	1	BRASS	SILVER				3 T	
NO	PART NAME	Q'TY	MATERIAL	PLATED	COLOR				
<p>TOLERANCE X: ±0.5 X.X: ±0.3 X.XX: ±0.15</p> <p>SCALE: 4/1</p> <p>PART NAME: EARRPHONE JACK</p> <p>PART NO.: LJE0360</p> <p>UNIT: M/M</p> <p>DATE: 10/30/97</p> <p>DRAW: LEE MEN-CHENG</p> <p>CHECK: APPROVE</p>									



PLUG



PCB LAYOUT(±0.1)
(BOTTOM VIEW)



4	HOUSING	1	PBT		BLACK
3	TIP	1	BRASS		SILVER
2	RING	1	P.B.S		SILVER
1	SLEEVE	1	BRASS		SILVER
NO	PART NAME	QTY	MATERIAL	PLATED	REMARK

LIH SHENG PRECISION INDUSTRIAL CO., LTD.

TOLERANCE		Material		PART NAME	
X	±0.5	Thickness		PART NO.	LJE0360-3RT
X.X	±0.3	Disposal		DATE	17/AUG/07
X.XX	±0.15	UNIT	mm	DRAW	Chris
		SCALE	4:1	CHECK	Ken
				APPROVED	Cooper

HISTORY X-COUNT	DATE	ECONO.	REV.	REVISION	SIGN.
1					