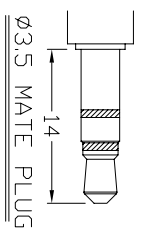


RECOMMENDED
(BOTTOM VIEW)

-5	-4R	-3RT	-3TS

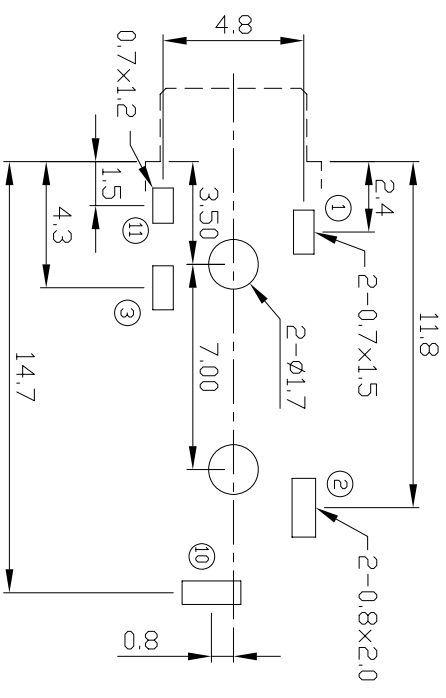
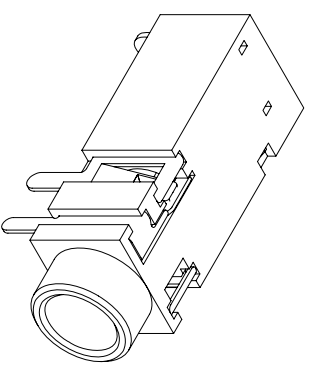
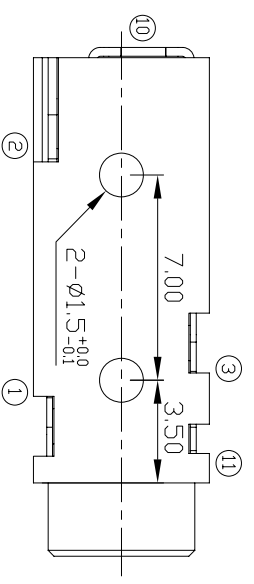
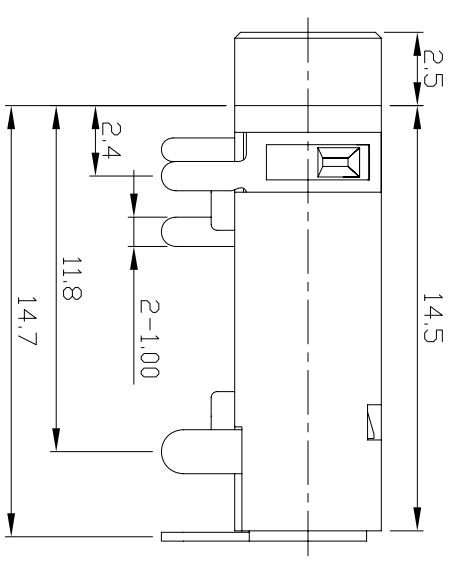
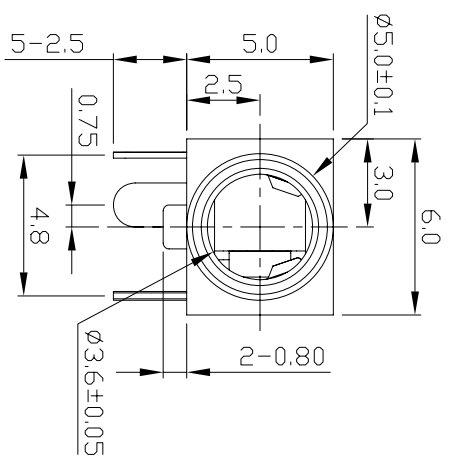
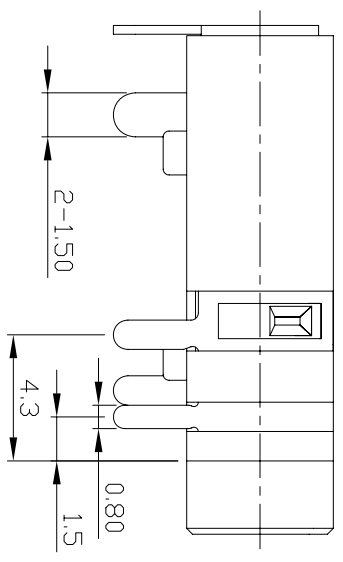


6	HOUSING	1	PA66						
5	TERMINAL 10	1	BRASS	Matte Tin Plated					BLACK
4	TERMINAL 11	1	BRASS	Matte Tin Plated					
3	TERMINAL 3	1	P.B.S	Matte Tin Plated					
2	TERMINAL 2	1	P.B.S	Matte Tin Plated					
1	TERMINAL 1	1	P.B.S	Matte Tin Plated					
NO	PART NAME	QTY	MATERIAL	PLATED	REMARK				



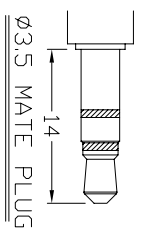
LIH SHENG PRECISION
INDUSTRIAL CO., LTD.

TOLERANCE	Material	PART NAME	DATE	CHECK
X ±0.5	Disposal	PHONE JACK	17/JUN/14	Went
X.X ±0.3	UNIT	SCALE	CHECK	APPROVED
X.XX ±0.15	mm	4:1	Draw	Yen




RECOMMENDED
(BOTTOM VIEW)

—5	—4R	—3RT	—3TS



6	HOUSING	1	PA66		BLACK
5	TERMINAL 10	1	BRASS		
4	TERMINAL 11	1	BRASS		
3	TERMINAL 3	1	P.B.S		
2	TERMINAL 2	1	P.B.S		
1	TERMINAL 1	1	P.B.S		
NO	PART NAME	Q'ty	MATERIAL	PLATED	REMARK



LIH SHENG PRECISION INDUSTRIAL CO., LTD.

TOLERANCE		Material		PART NAME	
X	±0.5	EarPHONE JACK		LJE0372A-5-G-03A	
X.X	±0.3	Thickness		DATE	
X.XX	±0.15	Disposal		17/JUN/14	
UNIT		SCALE		CHECK	
mm		4:1		Went	
				APPROVED	
				Yen	