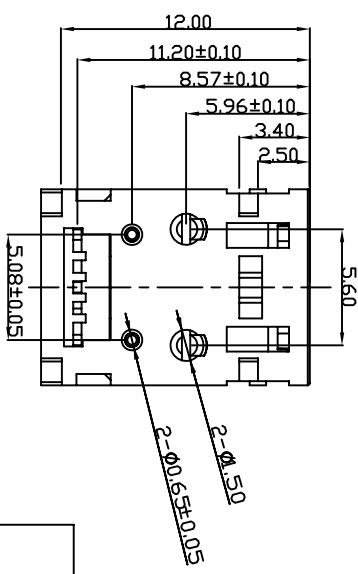
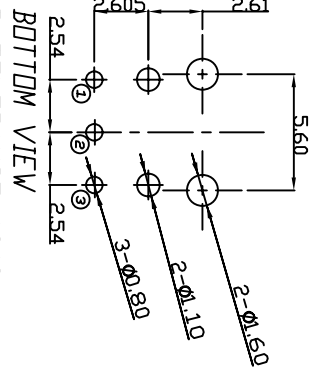


P.C.B TOLERANCE ±0.10
Recommended PCB thickness: 1.6 mm



NO	PART NAME	Q'ty	MATERIAL	PLATED	REMARK
6	NO.1 PIN	2		Sn	
5	Transmitter	1			
4	Spring	1	SWPA		BLACK
3	Shutter	1	NYLON PA-66		PANTONE 424C
2	Case	1	NYLON PA-66		BLACK
1	Body	1	NYLON PA-66		BLACK

TOLERANCE	Material	PART NAME	OPTICAL CONNECTOR
X ±0.5	Thickness	PART NO.	LOC0701TA-16AHB
X.X ±0.3	Disposal	DATE	2005.09.30
X.XX ±0.15	UNIT	DRAW	CHECK
	mm	Jacky	Chris
			APPROVE
			Cooper



LIH SHENG PRECISION
INDUSTRIAL CO., LTD.

Transmitter
① Vin
② Vcc
③ GND

仕 樣 書 SPECIFICATION

CUSTOMER MODEL NO. / TITLE OPTICAL TRANSMITTER JACK	SPECIFICATION NO. LOC0701T-25 系列 LOC0701TA-25 系列	PAGE : 1 OF 4 DATE : Mar,06,2012
--	--	-------------------------------------

OPTICAL CONNECTOR

1. Features

- (1) Conform to EIAJ standard CP-1201 (for digital audio interfaces including fiber optic inter-connections)
- (2) Input TTL compatible
- (3) +3V ~ +5V single power source
- (4) High speed signal transmitting

2. Applications

- (1) Digital audio equipment
- (2) MD players
- (3) DVD& CD players
- (4) Automobile

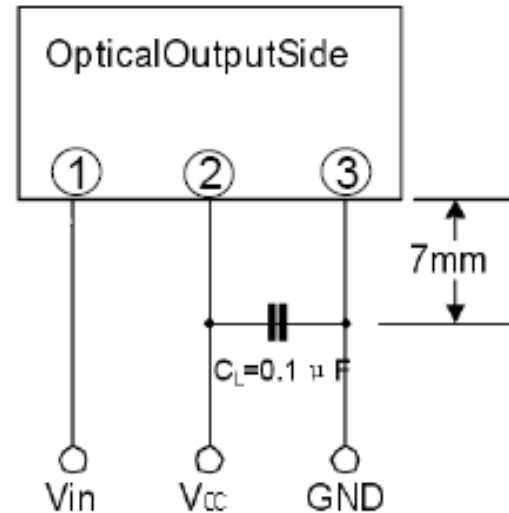
3. Absolute Maximum Ratings

(Ta=25°C)

Characteristic	Symbol	Rating	Unit
Supply voltage	Vcc	-0.5 ~ +7.0	V
DC Input voltage	Vin	-0.5 ~ Vcc +0.5	V
Operating temperature	Topr	-20 ~ +70	°C
Storage temperature	Tstg	-30 ~ +70	°C
Soldering temperature	Tsol	260 *	°C

* Soldering time ≤ 20s.

USING METHOD



核 示	審 核	確 認	作 成
Lee	Chris	Leo	Ivy

仕 樣 書 SPECIFICATION

CUSTOMER MODEL NO. / TITLE OPTICAL TRANSMITTER JACK	SPECIFICATION NO. LOC0701T-25 系列 LOC0701TA-25 系列	PAGE : 2 OF 4 DATE : Mar,06,2012
--	--	-------------------------------------

4. Electro-optical Characteristics

Electro-Optical Characteristics (Ta=25°C, Vcc=3.0V/5V, 25Mbps)

Parameter	Symbol	Conditions	MIN.	TYP.	MAX.	Unit
Operating Voltage	Vcc	Low Voltage	2.75	3.00	3.25	V
		High Voltage	4.75	5.00	5.25	V
Peak Emission Wavelength	λ_p		640	660	680	nm
Transmission Rate		NRZ Code	DC	-	25	Mbps
Fiber Coupling Output Power	Pf	*1	-21	-18	-15	dBm
Dissipation Current	Icc	*1	3	-	10	mA
High Level Input Voltage	V _{IH}		2	-	-	V
Low Level Input Voltage	V _{IL}		-	-	0.8	V
Rise Time	T _r	[1] ; *2 NRZ Code V _{FLED} = 2.0V	-	15	20	ns
Fall Time	T _f		-	15	20	ns
Low to High Delay Time	t _{pLH}	*2	-	-	100	ns
High to Low Delay Time	t _{pHL}	*2	-	-	100	ns
Pulse Width Distortion	Δtw	*2	-15	-	15	ns
Jitter	Δtj	*2	-	-	15	ns

*All Plastic Optical Fiber (980/1000um)

***Circuit Layout Notice:**

When power is off, it must be cut off together in Vin and Vcc pin.
If it only has Vcc power-off, LED will sure to be no output power

Vcc	Vin	LED Condition
2.7~5.5V	High	ON
2.7~5.5V	Low	OFF
2.7~5.5V	FLOATING	OFF
FLOATING	0~Vcc	OFF

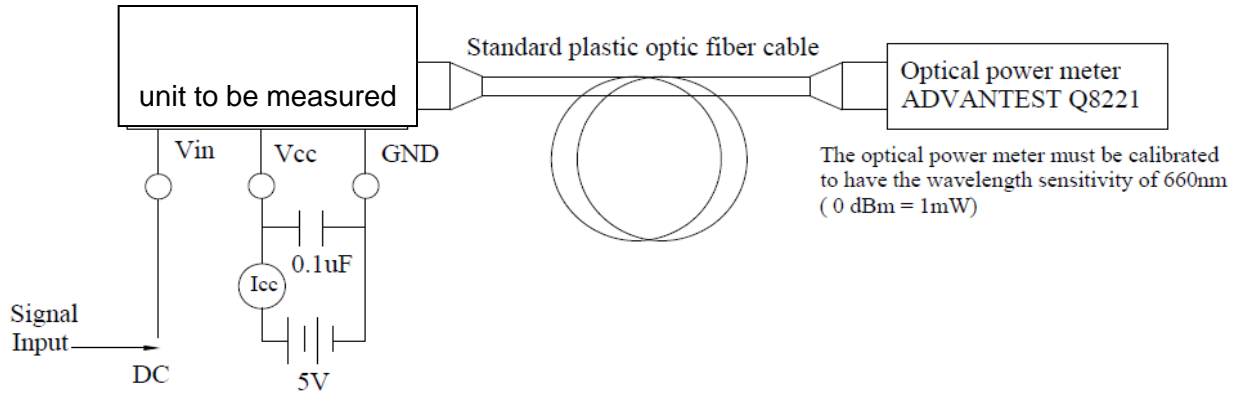
核 示	審 核	確 認	作 成
Lee	Chris	Leo	Ivy

仕様書 SPECIFICATION

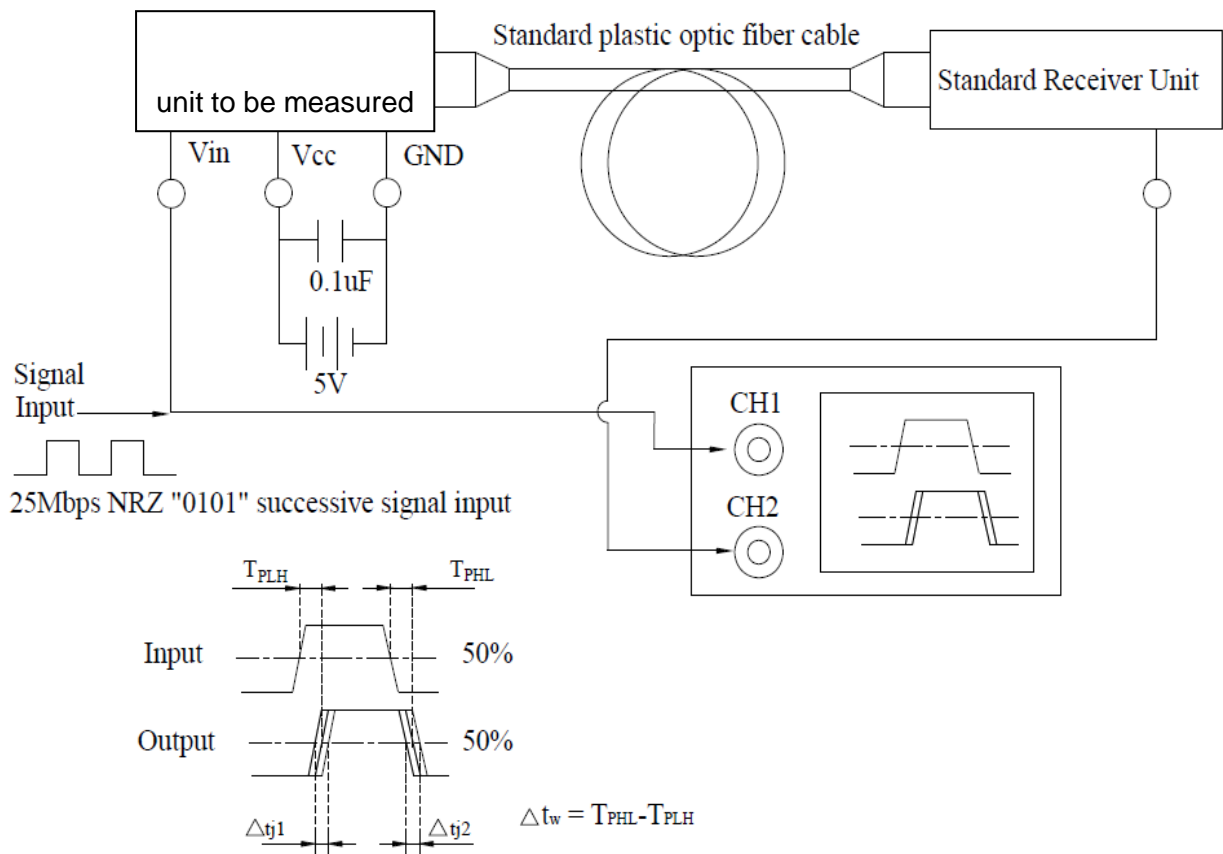
CUSTOMER MODEL NO. / TITLE OPTICAL TRANSMITTER JACK	SPECIFICATION NO. LOC0701T-25 系列 LOC0701TA-25 系列	PAGE : 3 OF 4 DATE : Mar,06,2012
--	--	-------------------------------------

Measuring Method

*1 Measuring method of optical output coupling fiber and dissipation current



*2 Pulse response measuring method

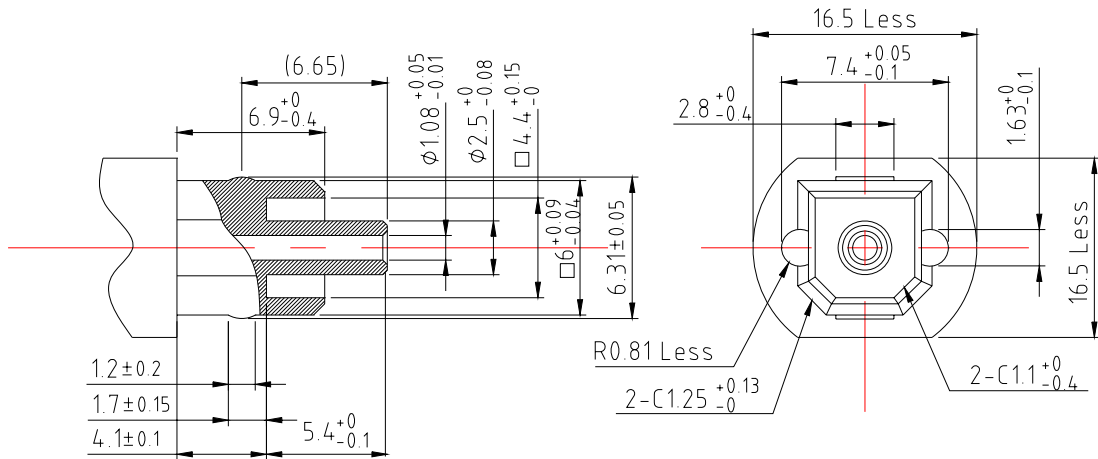


核 示	審 核	確 認	作 成
Lee	Chris	Leo	Ivy

仕様書 SPECIFICATION

CUSTOMER MODEL NO. / TITLE OPTICAL TRANSMITTER JACK	SPECIFICATION NO. LOC0701T-25 系列 LOC0701TA-25 系列	PAGE : 4 OF 4 DATE : Mar,06,2012
--	--	-------------------------------------

Mating plug



Unit:mm

核 示	審 核	確 認	作 成
Lee	Chris	Leo	Ivy