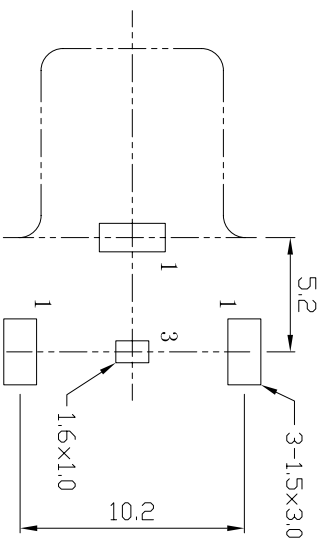
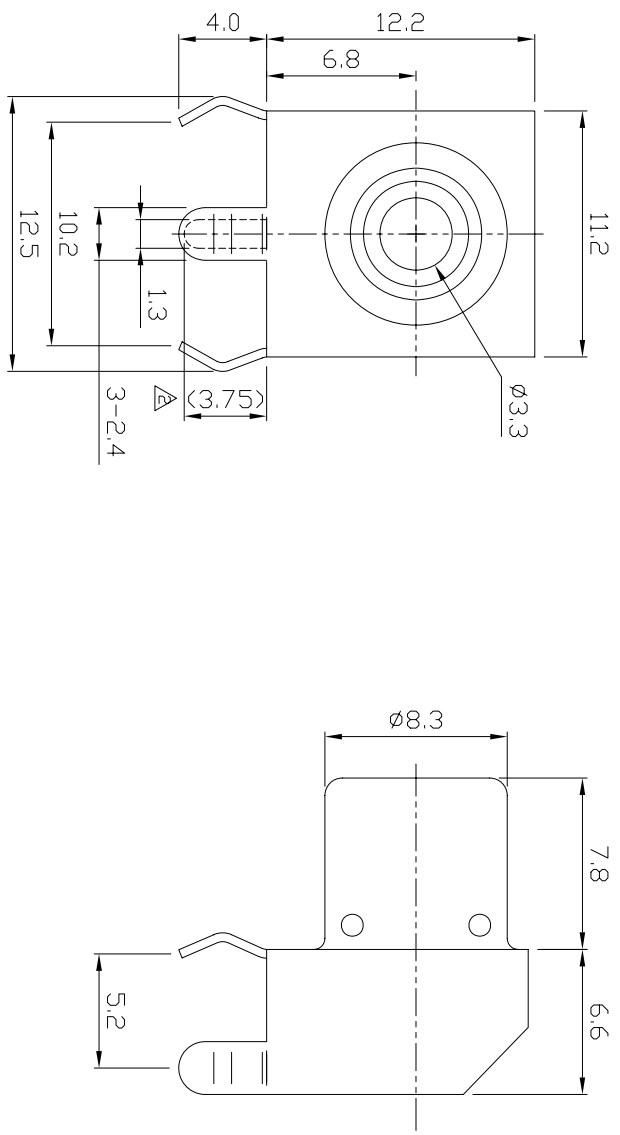
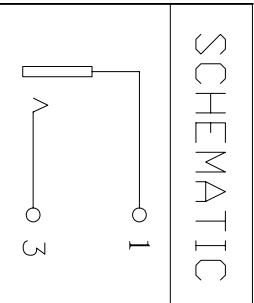



HISTORY X/COUNT	DATE	ECON NO.	REV.	REVISION	SIGNL.
△ x2	18/APR/07		B	新增電鍍厚度。	Chrs
△ x1	06/SEP/07		C	修改尺寸。	Chrs



P.C.B LAYOUT(±0.1)
BOTTOM VIEW



NO	PART NAME	Q'TY	MATERIAL	REMARK
4	WASHER	1	PBT	
3	INNER CYLINDER	1	PBT	WHITE
2	TERMINAL-3	1	Brass	Cu(2um)/Tin(3um) △
1	Shield+1pin	1	Brass	NICKEL(3um) △
	PART NAME	Q'TY	MATERIAL	PLATED



**LIH SHENG PRECISION
INDUSTRIAL CO., LTD.**

TOLERANCE	Material	PART NAME	DATE	CHECK	REV. C
X: ±0.5	Thickness	PART NO.	DATE	CHECK	APPROVE
X.X ±0.3	Disposal				
X.XX ±0.15	UNIT	SCALE	DRW		
⊕	mm	3:1	Chrs	Ken	Cooper