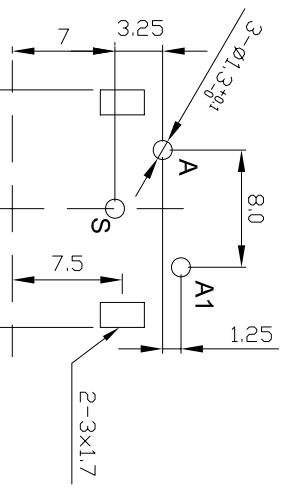


CIRCUIT	WASHER COLOR
	A1
	A

NO	PART NAME	Q'TY	MATERIAL	PLATED	REMARK
1	TIP	2	BRASS		
2	EARTH TERMINAL	1	BRASS		
3	BASE	1	PBT-94V0 G15		BLACK
4	COVER	1	PBT-94V0 G15		BLACK
5	WASHER	2	NYLON66 94V2		

P.C.B LAYOUT(±0.1)  
(BOTTOM VIEW)



# LPA0860

(1):Series No.

(2):Terminal Type

	B	S	V
90°		Wire Soldering	Height=24.5mm

(3):Metal Shielding

Without Shielding	With Shielding
	M

(4):Optional Plastic Material Code

(5):Terminal Plating

3	5
Sn/Cu	Gold 2u"

(6):Bushing Plating

2	5
Nickel	Gold 2u"

(7):Insulator Color Code:(A—A1)

1	2	3	4	5
Black	Red	White	Yellow	Blue
6	7	8	9	
Gray	Green	Orange	Brown	

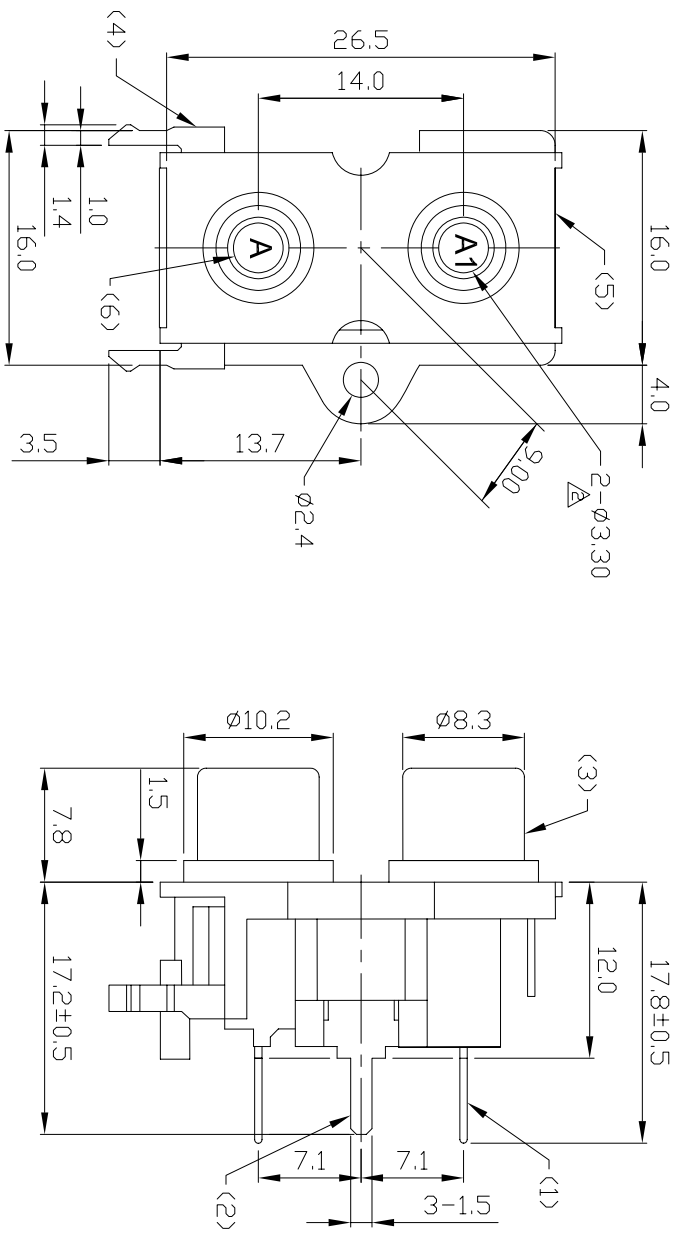


**LIH SHENG PRECISION INDUSTRIAL CO., LTD.**

TOLERANCE	Material	PART NAME	RCA JACK
X ±0.5		PART NO.	LPA0860-32-
X.X ±0.3	Thickness	DATE	09/16/05'
X.XX ±0.15	Disposal	DRAW	CHECK
	UNIT	SCALE	2:1
		Chris	Ken
			Ken

HISTORY X COUNT	DATE	ECN NO.	REV.	REVISION	SIGN.
△ x1	22/APR/08	N200805001	B	變更孔徑公差，3.25mm改為3.30mm。	Chis
△ x1	01/DEC/09	N200912001	C	增加零件標示。	Chis

HISTORY X.COUNT	DATE	E.CN NO.	REV.	REVISION	SIGN.
△ x1	06/27/05		B	圖面重繪	CHRIS
△ x1	APR/22/08	N200805001	C	變更孔徑公差：3.25改為3.30。	CHRIS



LPA0860  B  □  △  -  □  -  A  A1  
 (1) (2) (3) (4) (5) (6) (7)

(1): Series No.

(2): Terminal Type

	B	S	V
90°		Wire Soldering	Height=24.5mm
180°			

(3): Metal Shielding

Without Shielding	With Shielding
	M

(4): Optional Plastic Material Code

(5): Terminal Plating

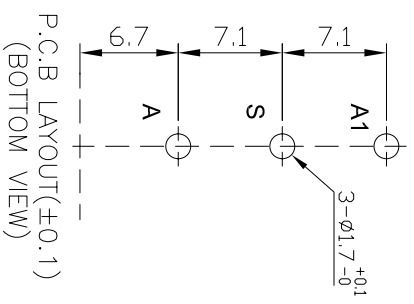
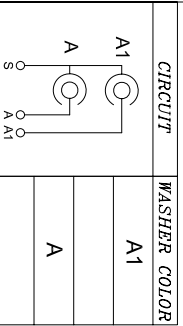
3	5
Sn/Cu	Gold 2u"

(6): Bushing Plating

2	5
Nickel	Gold 2u"

(7): Insulator Color Code: (A → A1)

1	2	3	4	5
Black	Red	White	Yellow	Blue
6	7	8	9	
Gray	Green	Orange	Brown	



NO	PART NAME	Q'ty	MATERIAL	PLATED	REMARK
6	WASHER	2	NYLON66-94V2		
5	COVER	1	PBT-94V0 G15		BLACK
4	BASE	1	PBT-94V0 G15		BLACK
3	BUSHING	2	IRON SHEET	NICKEL	
2	EARTH TERMINAL	1	BRASS	Sn/Cu	
1	TIP	2	BRASS	Sn/Cu	

LIH SHENG PRECISION INDUSTRIAL CO., LTD.

TOLERANCE	Material	PART NAME	RCA JACK
X ±0.5		PART NO.	LPA0860B-32-
X.X ±0.3	Thickness	DATE	11/04/05
X.XX ±0.15	Disposal	DRAW	CHECK
	UNIT	SCALE	Chris Jacky
		2:1	Ken

