

5	COVER	1	PBT		BLACK
4	WASHER	3	PBT		
3	HOUSING	1	PBT		
2	TERMINAL-3	3	BRASS		
1	SHIELD+1PIN	3	BRASS	NICKEL PLATED	REMARK
NO	PART NAME	Q'TY	MATERIAL		

**LPA0869** □ ▽ — □ □ — □ □  
 (1) (2) (3) (4) (5) (6) (7)  
 (1):Series No.

(2):Metal Shielding  
 Without Shielding M  
 With Shielding

(3):Optional Plastic Material Code

(4):Terminal Plating  
 3 Sn/Cu 5 Gold 2u"


(5):Bushing Plating  
 2 NICKEL 5 Gold 2u"

(6):Insulator Color Code:(A → B → C)  

1	2	3	4	5
Black	Red	White	Yellow	Blue
6	7	8	9	
Gray	Green	Orange	Brown	

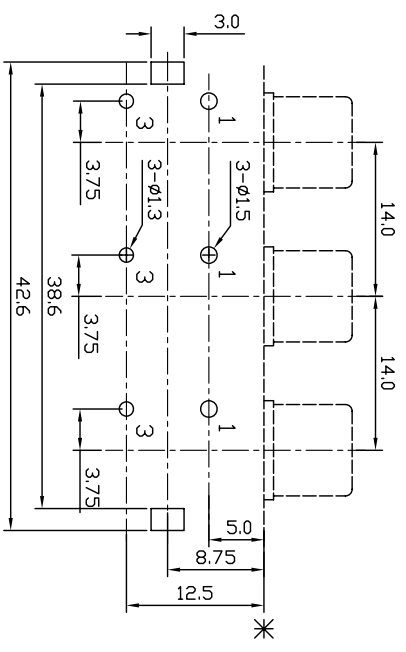
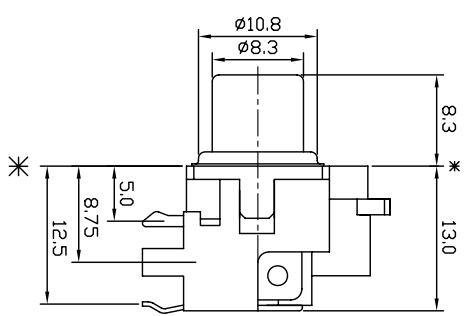
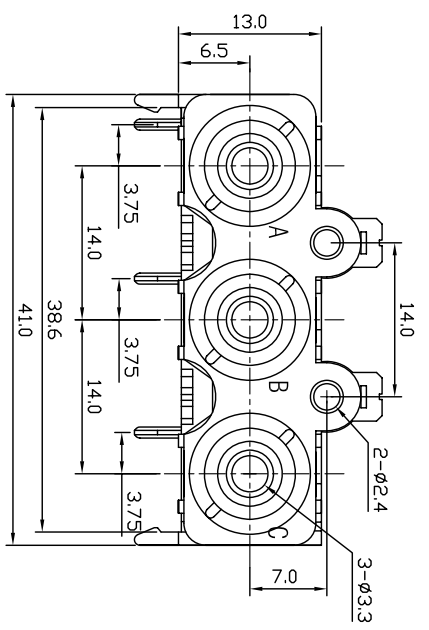
(7):Housing Color ▽  

Black	R	White
Red	Red	



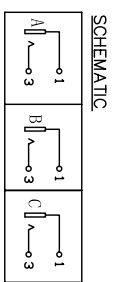
**LH SHENG PRECISION INDUSTRIAL CO., LTD.**

TOLERANCE	Material	PART NAME	RCA JACK
X. ±0.5		PART NO.	LPA0869-32-
X.X ±0.3	Thickness	DATE	03/02/06'
X.XX ±0.15	Disposal	DRAW	CHECK
	UNIT	SCALE	1:1
		CHRIS	KEN
		COOPER	



P.C.B LAYOUT  
BOTTOM VIEW  
P.C.B Tolerance ±0.1

6	SHIELD	1	BRASS	NICKEL	
5	COVER	1	PBT		BLACK
4	BODY	1	PBT		
3	WASHER	3	PBT		
2	SCREW TERMINAL	3	BRASS	NICKEL	
1	TERMINAL	3	BRASS	TIN	
NO	PART NAME	QTY	MATERIAL	PLATED	COLOR



LPA0869  M  △  —   —  A  B  C

(1) (2) (3) (4) (5) (6) (7)

(1):Series No.

(2):Metal Shielding

Without Shielding	M
With Shielding	

(3):Optional Plastic Material Code

(4):Terminal Plating

3	5
Sn/Cu	Gold 2u"

(5):Bushing Plating

2	5
NICKEL	Gold 2u"

(6):Insulator Color Code:(A → B → C)

1	2	3	4	5
Black	Red	White	Yellow	Blue
6	7	8	9	
Gray	Green	Orange	Brown	

(7):Housing Color △

	R	W
Black	Red	White



LIH SHENG PRECISION  
INDUSTRIAL CO., LTD.

TOLERANCE		PART NAME	RCA JACK
X	±0.5	PART NO.	LPA0869M-32-
X.X	±0.3	DATE	2000.08.06
X.XX	±0.15	DRAW	CHICK
		UNIT	Kern
		SCALE	1.5:1
		CHK	Cooper