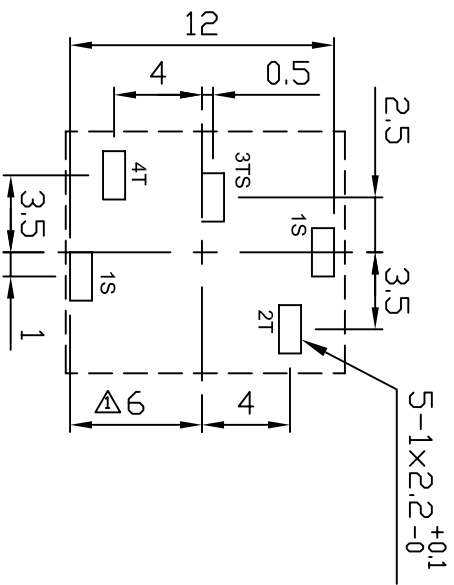
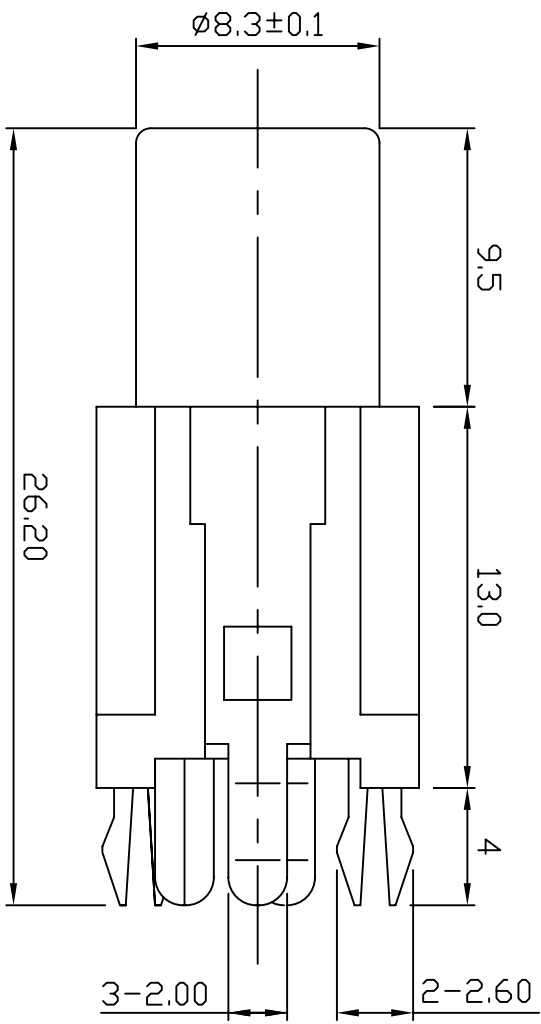


**PLUG**



P.C.B LAYOUT( $\pm 0.1$ )  
(BOTTOM VIEW)



5	BASE	1	PBT-94V0		
4	CONTACT	1	P.B.S	(Sn/Cu)	
3	TIP SHUNT	1	BRASS	(Sn/Cu)	
2	TIP	1	P.B.S	(Sn/Cu)	
1	SLEEVE	1	BRASS	NICKEL	
NO	PART NAME	Q'TY	MATERIAL	PLATED	REMARK

TOLERANCE		Material	PART NAME	RCA JACK
X	$\pm 0.5$	Thickness	PART NO.	LP-0839-4
X.X	$\pm 0.3$	Disposal	DATE	06/30/84
X.XX	$\pm 0.15$	UNIT	SCALE	4:1
			DRAW	CHRIS
			CHECK	KEN
			APPROVE	COOPER



**LH SHENG PRECISION INDUSTRIAL CO., LTD.**

4	1S O2T 3TS O4T 1S	3	1S O2T 3TS 1S	2	1S O4T 1S
HOUSING COLOR					
BLACK					
RED					
BLUE					
GREEN					
WHITE					
YELLOW					
SLEEVE PLATED					
NI					
AU/2u					

HISTORY	DATE	ECON NO.	REV.	REVISION	SIGN.
X COUNT	12/30/05		E	增加 LAYOUT 尺寸	CHRIS
x1	2006.04.26		F	更新 LAYOUT 內容	Ken