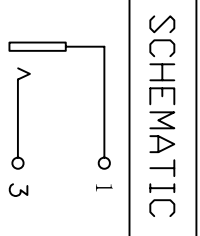



P.C.B LAYOUT(±0.1)  
BOTTOM VIEW

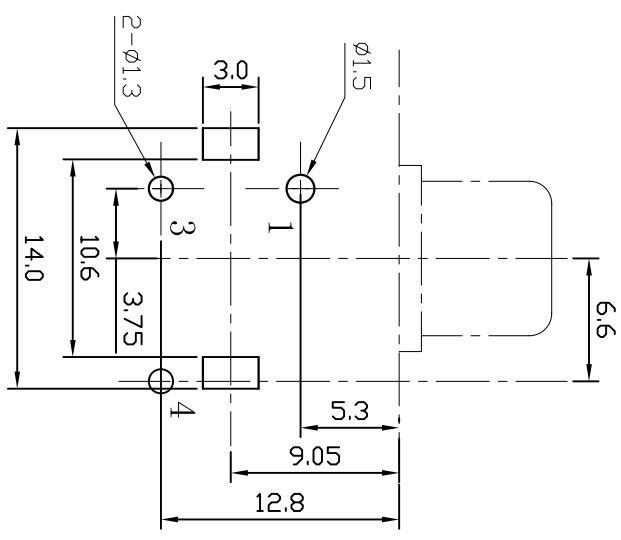
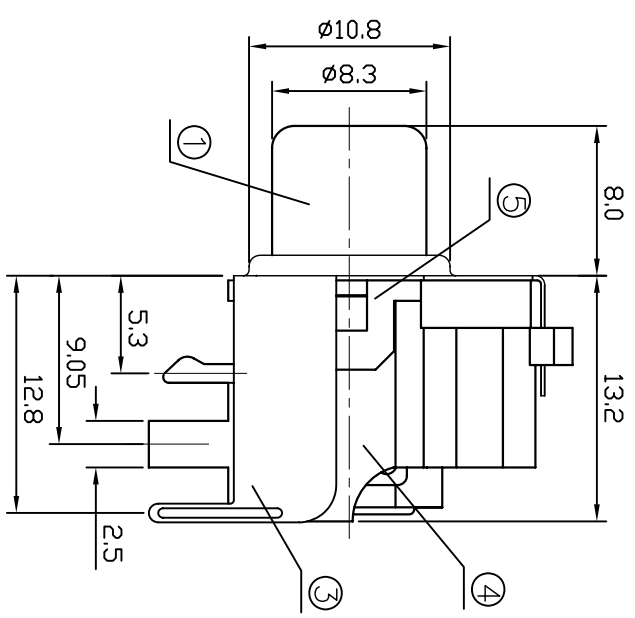
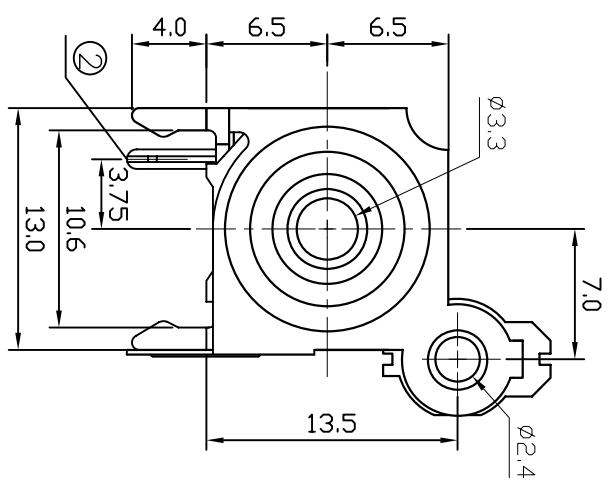


4	COVER	1	ABS		
3	HOUSING	1	ABS		BLACK
2	TERMINAL-3	1	BRASS	TIN	
1	Shield+1pin	1	BRASS	NICKEL	
NO	PART NAME	Q'TY	MATERIAL	PLATED	REMARK

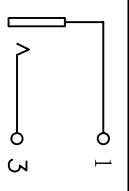


**LIH SHENG PRECISION  
INDUSTRIAL CO., LTD.**

TOLERANCE		Material		PART NAME	
X	±0.5	RCA JACK		LP-0850-	
X.X	±0.3	Thickness			
X.XX	±0.15	Disposal	DATE 06/30/06		
UNIT mm		SCALE	DRAW		CHECK
		1:1	Chris		Ken
			APPROVE		Cooper



SCHEMATIC



NO	PART NAME	Q'TY	MATERIAL	PLATED	REMARK
5	COVER	1	ABS		
4	HOUSING	1	ABS		BLACK
3	COVER+4pin	1	Brass	NICKEL	
2	TERMINAL-3	1	Brass	TIN	
1	Shield+1pin	1	Brass	NICKEL	

**LH SHENG PRECISION INDUSTRIAL CO., LTD.**

TOLERANCE		Material		PART NAME	
X.	±0.5	RCA JACK		PART NO.	
X.X	±0.3			LP-0850M-	
X.XX	±0.15	Thickness	Disposal	DATE	06/30/06'
		UNIT	mm	DRAW	Chris
		SCALE	1:1	CHECK	Ken
				APPROVE	Cooper