

(FRONT SIDE) PANEL CUT

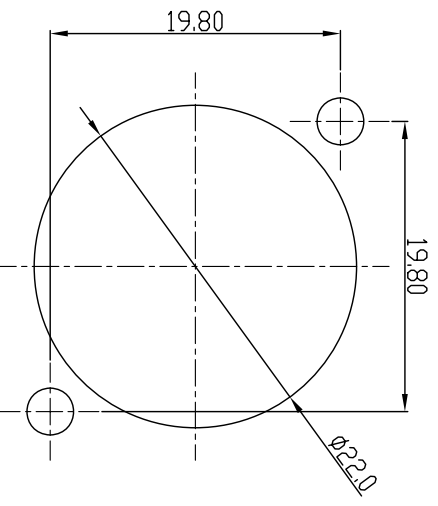
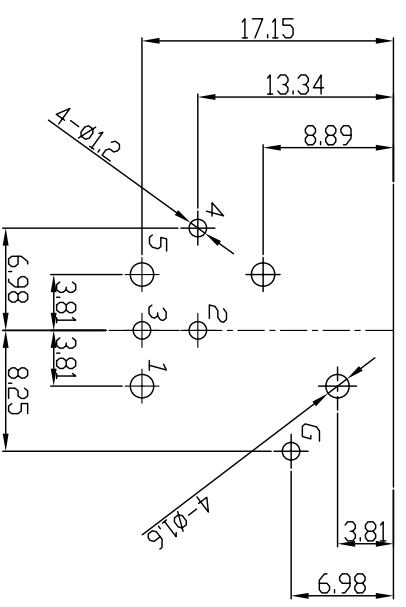
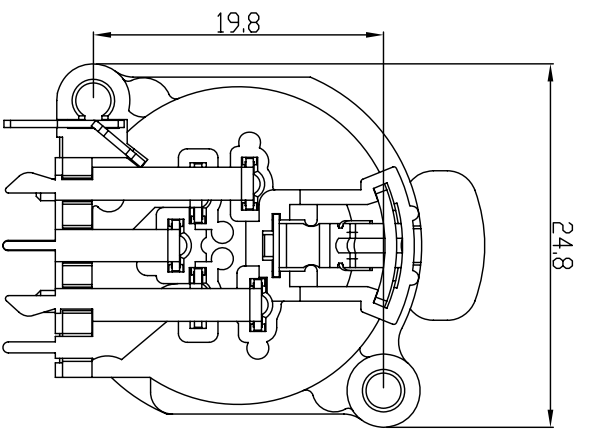
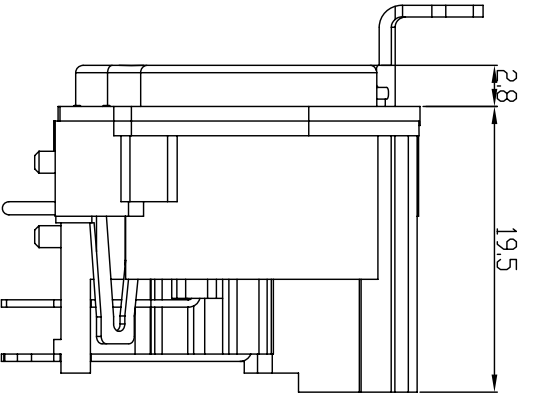
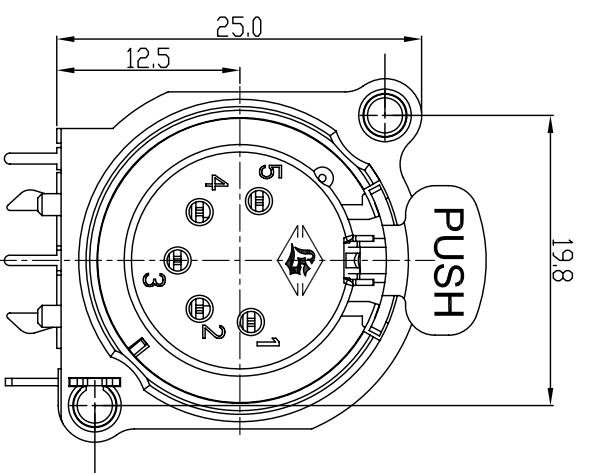
P.C.B. LAYOUT
(BOTTOM VIEW)

5	BDDY	1	PA66+30%		BLACK
4	COVER	1	Zinc	NICKEL	
3	SPRING	1	SK7	NICKEL	
2	CONTACT	5	P.B.S	GOLD	
1	SLEEVE	1	P.B.S	SILVER	
NO	PART NAME	Q'TY	MATERIAL	PLATED	REMARK

LIH SHENG PRECISION
INDUSTRIAL CO., LTD.

TOLERANCE X. ±0.5 X.X ±0.3 X.XX ±0.15	Material	PART NAME	XLR JACK
	Thickness	PART NO.	LX-1605H-5
UNIT	Disposal	DATE	14/OCT/06
	UNIT	DRAW	CHECK
mm	SCALE	Chris	Ken
	SCALE	2:1	Cooper


HISTORY	DATE	ECN NO.	REV.	REVISION	SIGN.
X/COUNT					





(FRONT.SIDE)PANEL CUT

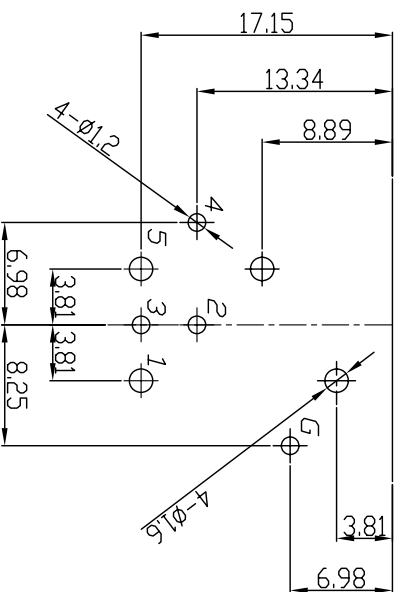
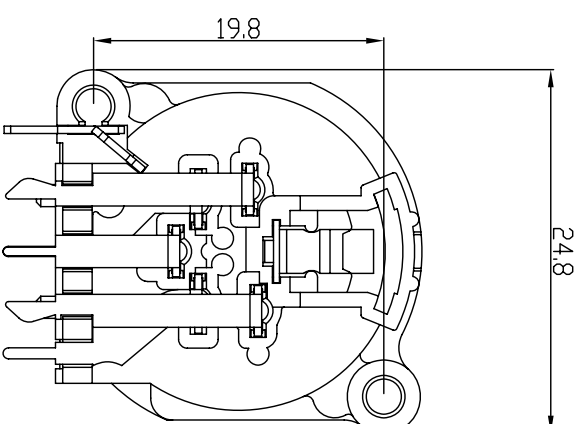
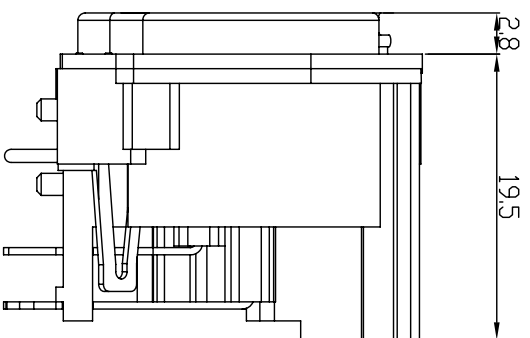
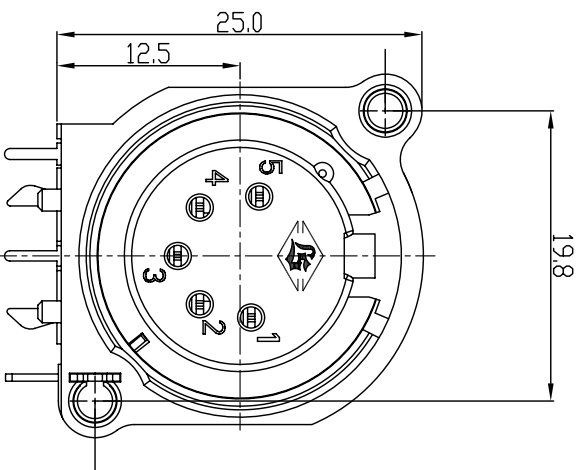
P.C.B. LAYOUT
(BOTTOM VIEW)

6	BDDY	1	PA66+30%			
5	COVER	1	Zinc	NICKEL		BLACK
4	PUSH	1	SK7	NICKEL		
3	LDCK	1	SK7	NICKEL		
2	CONTACT	5	P.B.S	GOLD		
1	SLEEVE	1	P.B.S	SILVER		
NO	PART NAME	Q'TY	MATERIAL	PLATED	REMARK	

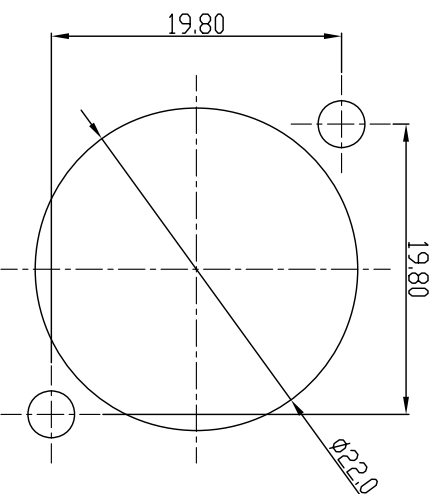


LH SHENG PRECISION INDUSTRIAL CO., LTD.

TOLERANCE		Material	PART NAME	XLR JACK		
X.	±0.5					
X.X	±0.3					
X.XX	±0.15	Disposal	DATE	14/OCT/06	REV.A	
		UNIT	SCALE	DRAW	CHECK	APPROVE
		mm	2:1	Chris	Ken	Cooper




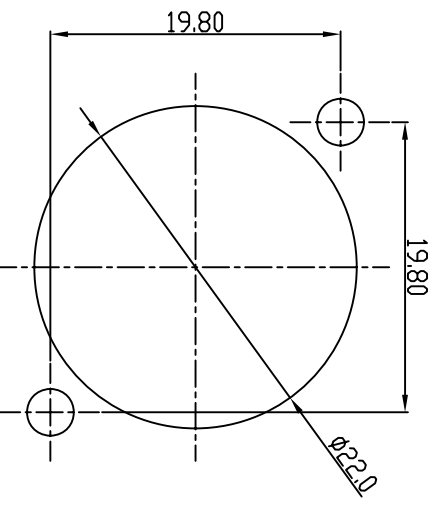
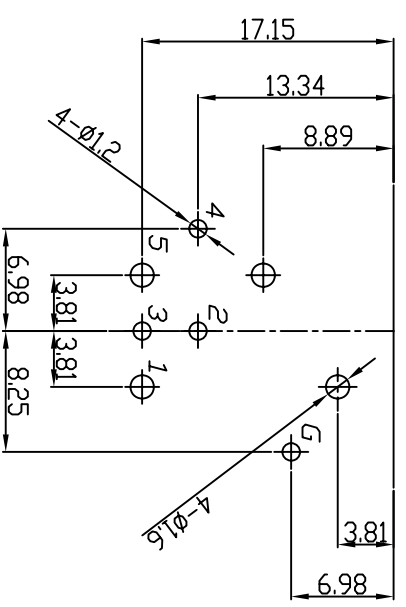
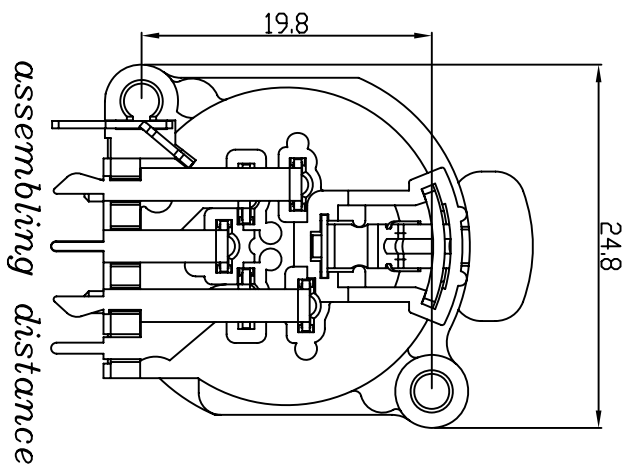
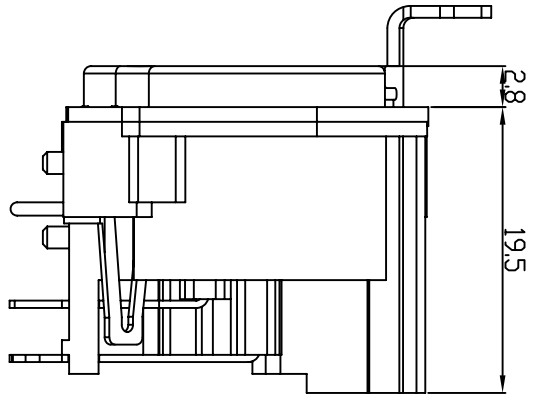
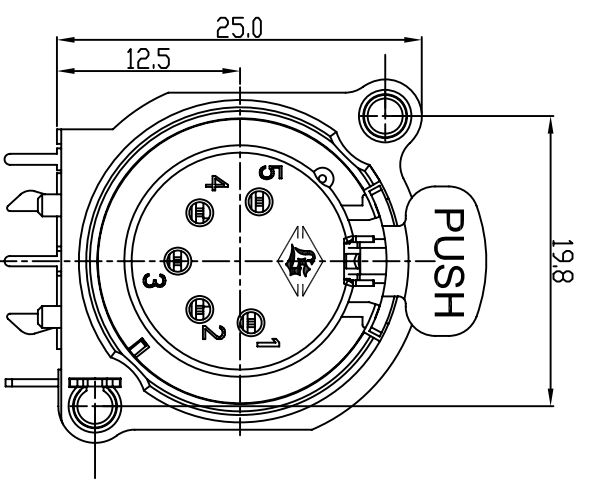
P.C.B. LAYOUT
(BOTTOM VIEW)



(FRONT SIDE) PANEL CUT


5	BDDY	1	PA66+30%		BLACK
4	COVER	1	PA66+15%		BLACK
3	SPRING	1	SK7		NICKEL
2	CONTACT	5	P.B.S		GOLD
1	SLEEVE	1	P.B.S		SILVER
NO	PART NAME	Q'TY	MATERIAL	PLATED	REMARK

	LH SHENG PRECISION INDUSTRIAL CO., LTD.		TOLERANCE X. ±0.5 X.X ±0.3 X.XX ±0.15	
			Material Thickness Disposal UNIT mm	Part Name PART NO. DATE DRAW Chris
SCALE 2:1		SCALE 2:1		



P.C.B. LAYOUT
(BOTTOM VIEW)

6	BDDY	1	PA66+30%		BLACK
5	COVER	1	PA66+15%		BLACK
4	PUSH	1	SK7		NICKEL
3	LDCK	1	SK7		NICKEL
2	CONTACT	5	P.B.S		GOLD
1	SLEEVE	1	P.B.S		SILVER
NO	PART NAME	Q'TY	MATERIAL	PLATED	REMARK



LIH SHENG PRECISION
INDUSTRIAL CO., LTD.

TOLERANCE		Material		PART NAME	
X.	±0.5	XLR JACK		XLR JACK	
X.X	±0.3	PART NO.		LX-1605HP-5B	
X.XX	±0.15	DATE		14/OCT/06'	
Disposal		DRAW		CHECK	
UNIT		SCALE		CHECK	
mm		2:1		Chris	
				Ken	
				Cooper	