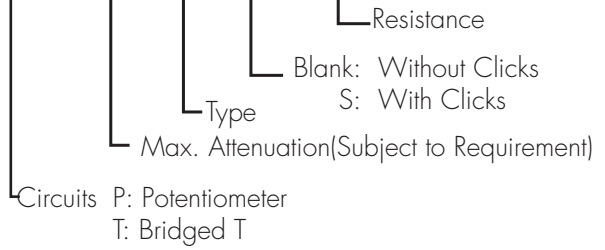


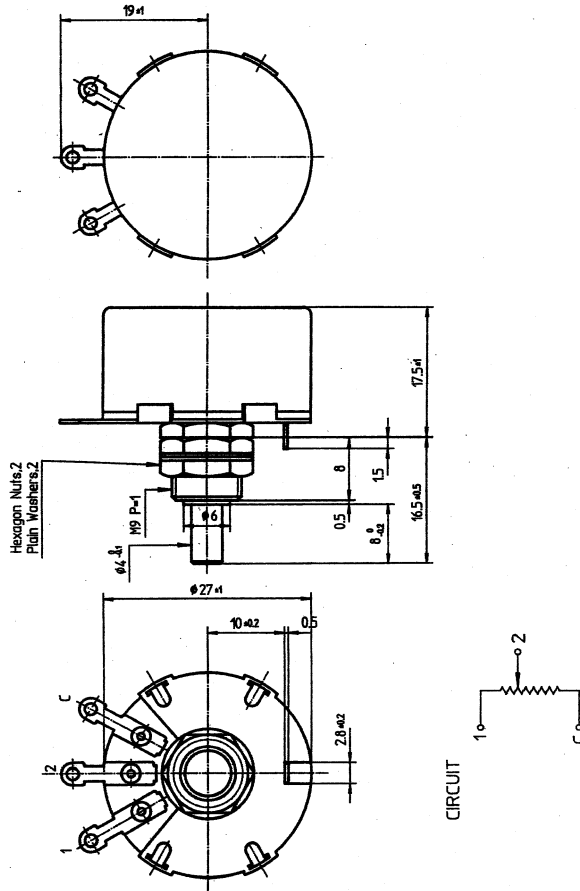
P10FS SERIES



Numbering System



Dimensions



Specifications

Circuit
 Resistance
 Accuracy of Resistance
 Attenuation Range
 Number of Steps
 Frequency Response

Potentiometer
 300Ω
 Within ±5%
 0~10dB
 20

	20KHz	1MHz	10MHz
0~10dB	±0.2dB	±0.3dB	±0.5dB

Input Level
 Insulation Resistance
 Contact Spacing
 Total Degree of Rotation

Maximum 0.3W
 ≥100MΩ (at DC 500V)
 15 Degrees Between Centers
 300 Degrees